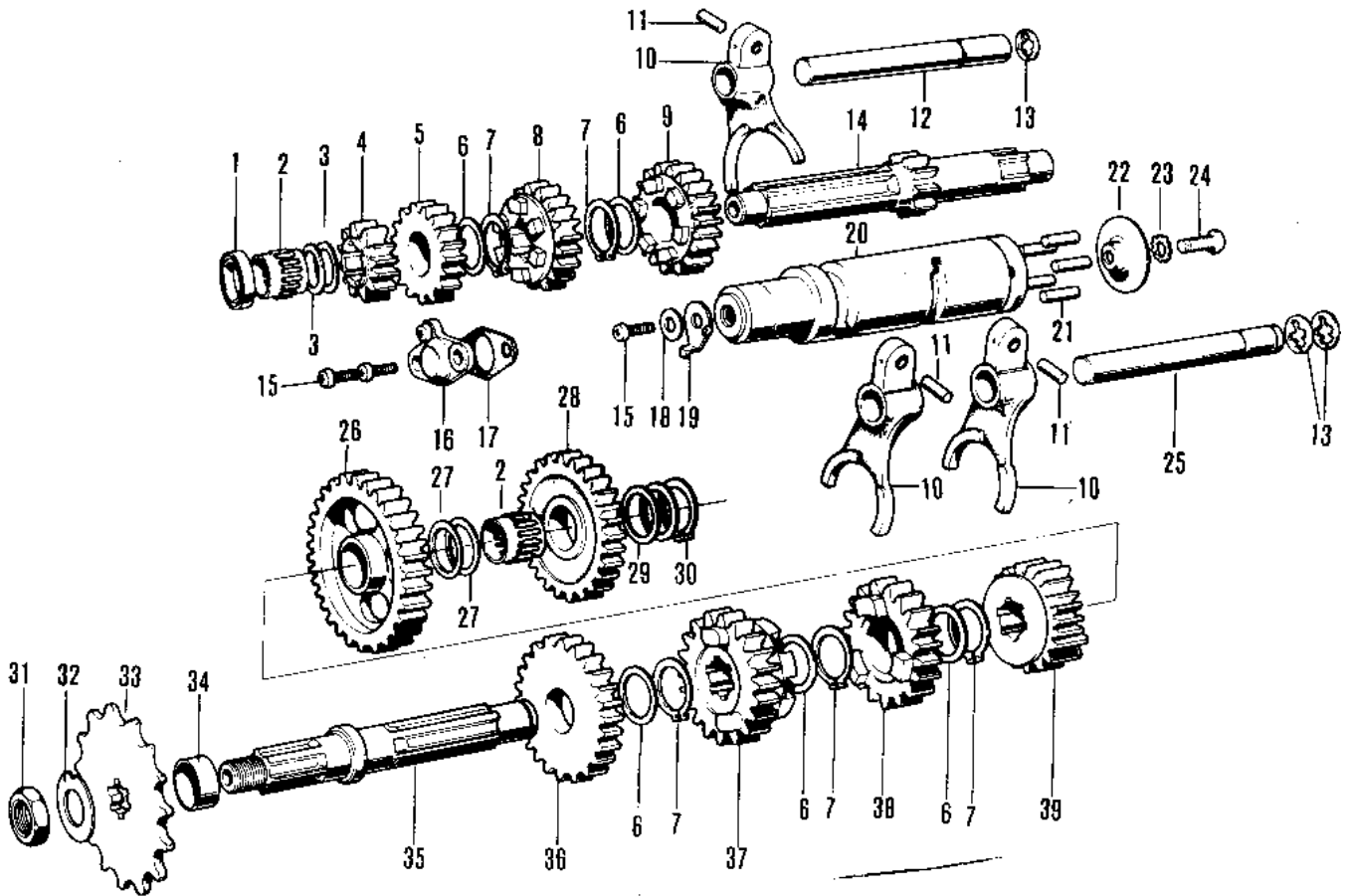
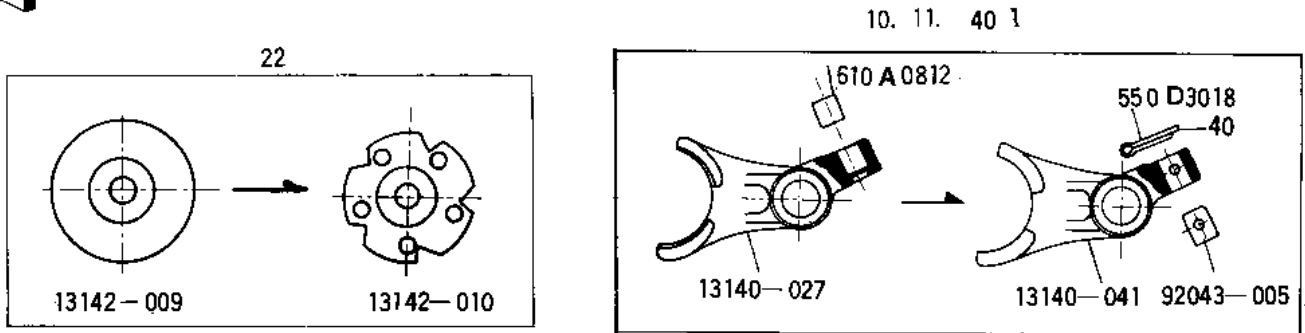


1972 PARTS DIAGRAM

TRANSMISSION/CHANGE DRUM ('71-'72 F8/F8-



1972 PARTS LIST

TRANSMISSION/CHANGE DRUM ('71-'72 F8/F8-

ITEM NAME	PART NUMBER	QUANTITY
OIL SEAL-CLTH PSH ROD (Ref # 1)	92050-034	1
UNAVAILABLE IN PRICE BOOK (Ref # 2)	92046-023	1
WASHER THRUST (Ref # 3)	92022-112	2
2ND GEAR DRIVE SHAFT (Ref # 4)	13130-021	1
4TH GEAR-DRIVE SHAFT (Ref # 5)	13134-005	1
WASHER 25MM (Ref # 6)	92022-076	1
CIRCLIP (Ref # 7)	92033-026	1
3RD GEAR-DRIVE SHAFT (Ref # 8)	13132-020	1
TOP GEAR,DRIVE SHAFT (Ref # 9)	13136-047	1
FORK-SELECTOR (Ref # 10)	13140-052	2
PIN-DOWEL,8X12 (Ref # 11)	610A0812	1
PIN SELECT FORK GUIDE (Ref # 11)	92043-005	1
ROD-SHIFT (Ref # 12)	13209-003	1
CIRCLIP 10MM (Ref # 13)	482J0100	1
SHAFT-DRIVE (Ref # 14)	13127-025	1
SCREW PAN HEAD 6X16 (Ref # 15)	220B0616	1
SWITCH,NEUTRAL (Ref # 16)	13151-1001	1
GASKET NEUTRAL SWITCH (Ref # 17)	13146-002	1
WASHER PLAIN 6MM (Ref # 18)	410B0600	1
ROTOR,NEUTRAL INDICTR (Ref # 19)	21007-1003	1
DRUM ASSY-GEAR CHANGE (Ref # 20)	13239-006	1
PIN GEAR CHANGE DRUM (Ref # 21)	92042-014	1
PIN-CHANGE DRUM (Ref # 21)	92042-020	1
PLATE-CHANGE DRUM PIN (Ref # 22)	13142-009	1
PLATE-CHANGE DRUM PIN (Ref # 22)	13142-010	1
WASHER LOCK 6MM (Ref # 23)	464H0600	1
SCREW PAN HEAD 6X12 (Ref # 24)	220B0612	1
SCREW CNTSNK HD 6X20 (Ref # 24)	221B0620	1
ROD-SHIFT (Ref # 25)	13209-010	1

1972 PARTS LIST

TRANSMISSION/CHANGE DRUM ('71-'72 F8/F8-

ITEM NAME	PART NUMBER	QUANTITY
LOW GEAR-OUTPUT SHAFT (Ref # 26)	13129-042	1
WASHER THRUST (Ref # 27)	92022-113	1
IDLE GEAR-KICKSTARTER (Ref # 28)	13073-005	1
WASHER THRUST (Ref # 29)	92022-114	1
CIRCLIP,19MM (Ref # 30)	480J1900	1
NUT 18MM (Ref # 31)	92015-019	1
WASHER,LOCK,18MM (Ref # 32)	92024-067	1
ENG SPROCKET 13T (OPT (Ref # 33)	13144-043	1
ENGINE SPROCKET 15T (Ref # 33)	13144-025	1
COLLAR-ENG SPROKET (Ref # 34)	92027-163	1
SHAFT-OUTPUT (Ref # 35)	13128-027	1
2ND GEAR-OUTPUT SHAFT (Ref # 36)	13131-024	1
4TH GEAR-OUTPUT SHAFT (Ref # 37)	13135-009	1
3RD GEAR-OUTPUT SHAFT (Ref # 38)	13133-019	1
TOP GEAR (Ref # 39)	14137-014	1
COTTER PIN (Ref # 40)	550D3018	1