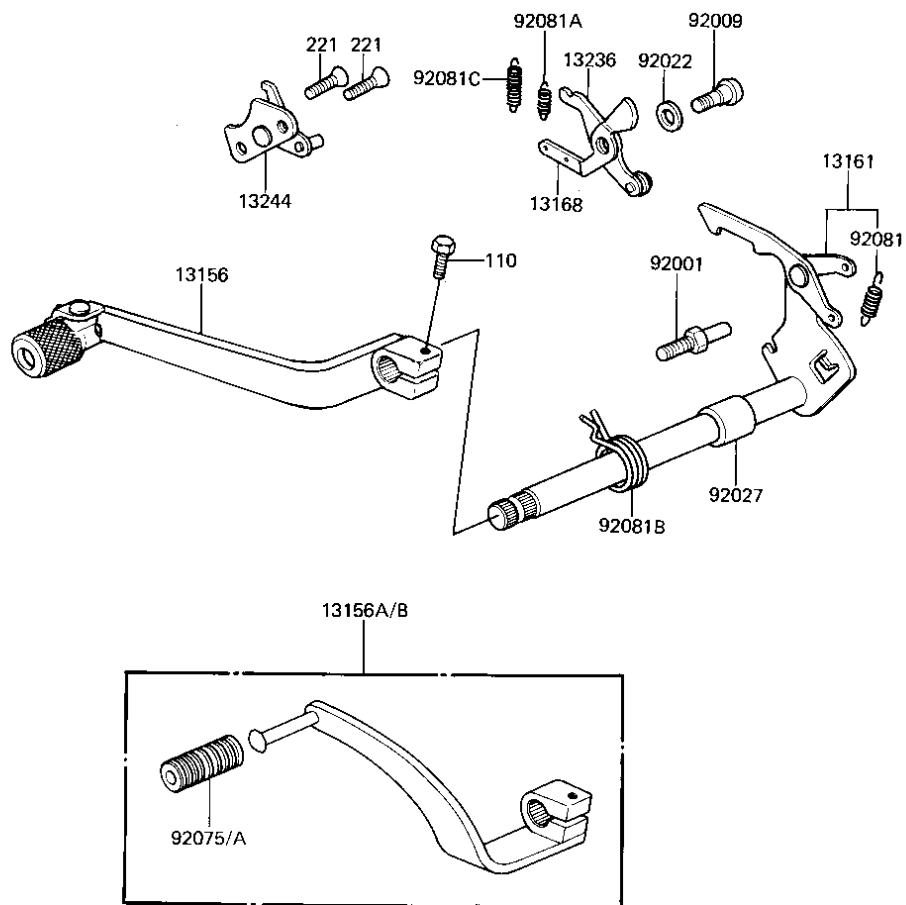


1981 KDX™175 PARTS DIAGRAM

GEAR CHANGE MECHANISM ('81-'82 A2/A3)

E1370-0034



1981 KDX™175 PARTS LIST

GEAR CHANGE MECHANISM ('81-'82 A2/A3)

ITEM NAME	PART NUMBER	QUANTITY
LEVER-CHANGE (Ref # 13156)	13156-1088	2
LEVER-COMP-CHANGE (Ref # 13161)	13161-1031	1
LEVER A,GEAR CHANGE (Ref # 13168)	13168-1059	1
LEVER B,GEAR CHANGE (Ref # 13236)	13236-1023	1
STOPPER ASSY,CNG DRU (Ref # 13244)	13244-1003	1
BOLT,RETURN SPRING (Ref # 92001)	92001-1401	1
SCREW-PAN HEAD (Ref # 92009)	92011-023	1
WASHER,PLAIN (Ref # 92022)	92022-1053	1
COLLAR,13X18.3X21.5 (Ref # 92027)	92027-1440	1
DAMPER,CHANGE PEDAL (Ref # 92075A)	92160-1108	1
SPRING-CHANGE LEVER (Ref # 92081)	92081-076	1
SPRING,GEAR CHANG LV (Ref # 92081A)	92081-1061	1
SPRING,TENTION (Ref # 92081B)	92081-1129	1
SPRING (Ref # 92081C)	92081-119	1
BOLT-UPSET (Ref # 110)	112G0625	1
SCREW CNTSNK HD 6X14 (Ref # 221)	221B0614	1