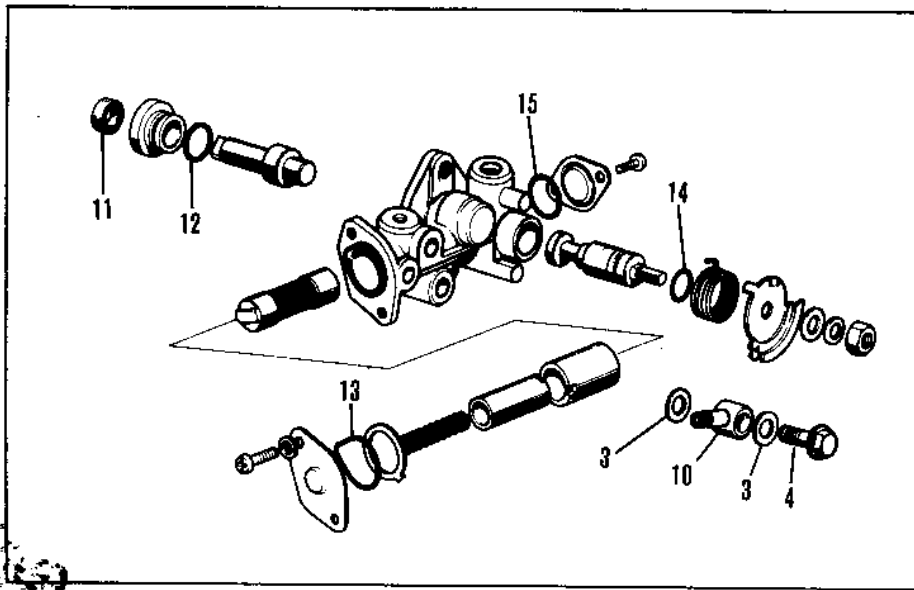
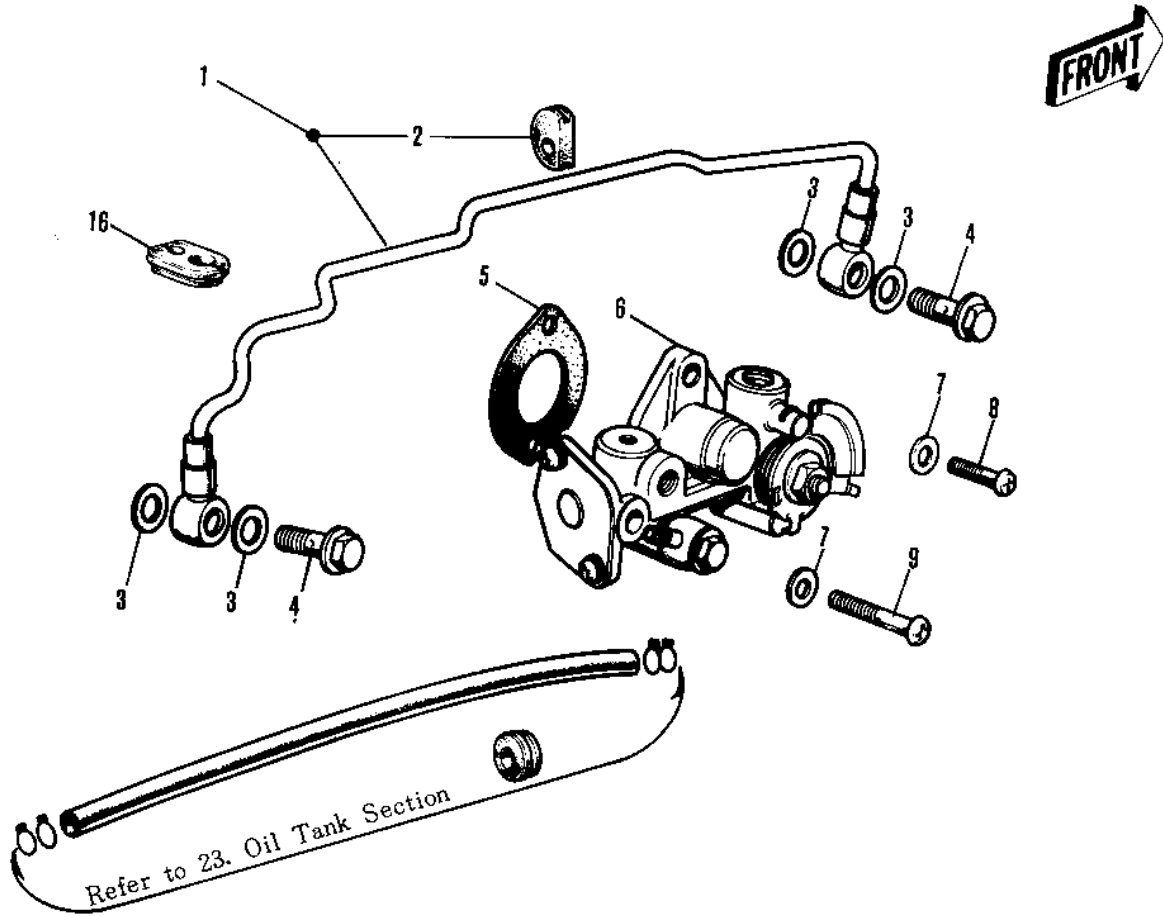


1971 PARTS DIAGRAM

OIL PUMP ('71-'73 F7/F7-A/F7-B)



1971 PARTS LIST

OIL PUMP ('71-'73 F7/F7-A/F7-B)

ITEM NAME	PART NUMBER	QUANTITY
PIPE-OIL (Ref # 1)	16134-011	1
GROMMET-OIL PIPE (Ref # 2)	92071-045	1
WASHER PLAIN 6MM (Ref # 3)	92022-102	1
BOLT-BANJO,6MM (Ref # 4)	92060-013	1
GASKET,OIL PUMP (Ref # 5)	11060-1160	1
OIL PUMP ASSY (Ref # 6)	16082-029	1
WASHER OIL PUMP (Ref # 7)	92022-037	1
SCREW-PAN-CROS (Ref # 8)	220B0514	1
SCREW PAN CROSS,5X28 (Ref # 9)	220B0528	1
CONNECTOR BANJO (Ref # 10)	92061-009	1
OIL SEAL OIL PUMP SHT (Ref # 11)	16091-001	1
"O" RING,OIL PUMP SHT (Ref # 12)	16090-002	1
"O" RING,UPPER CAP (Ref # 13)	16088-002	1
SEAL-OIL,CAMSHAFT,"X" (Ref # 14)	92049-1294	1
"O" RING,LOWER CAP (Ref # 15)	16090-003	1
GROMMET OIL PIPE B (Ref # 16)	16135-005	1