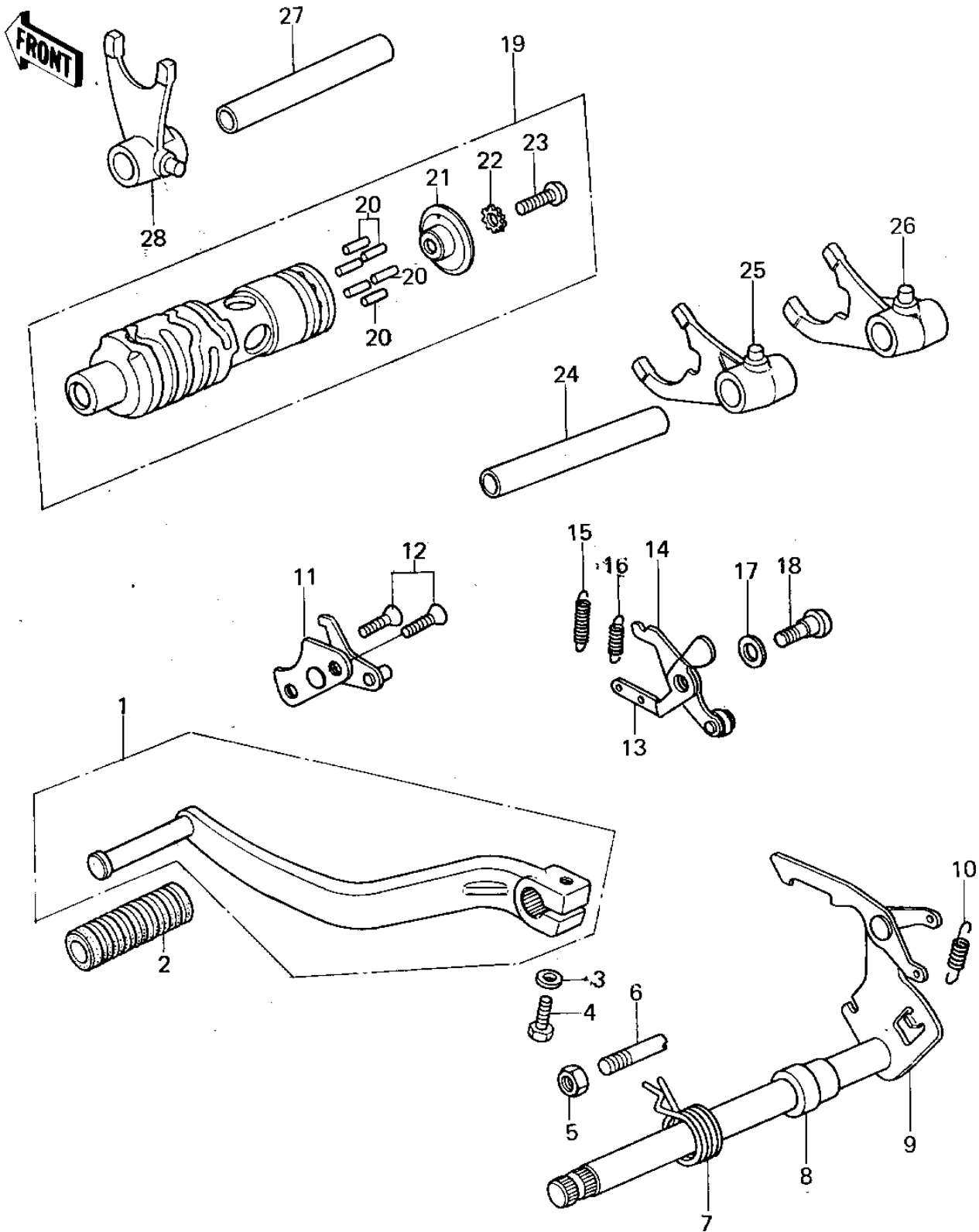


## 1978 KX™125 PARTS DIAGRAM

GEAR CHANGE MECHANISM ('78-'79 KX125-A4/



## 1978 KX™125 PARTS LIST

GEAR CHANGE MECHANISM ('78-'79 KX125-A4/

ITEM NAME	PART NUMBER	QUANTITY
PEDAL ASSY,GEAR CHNGE (Ref # 1)	13156-1013	1
DAMPER,CHANGE PEDAL (Ref # 2)	92160-1108	1
WASHER PLAIN 6MM (Ref # 3)	410B0600	1
BOLT-UPSET (Ref # 4)	112G0622	1
NUT 8MM (Ref # 5)	318B0800	1
NUT 8MM (Ref # 5)	312B0800	1
PIN-CHANGE PEDAL (Ref # 6)	92043-061	1
PIN,CHANGE PEDAL (Ref # 6)	92043-1056	1
SPRING,TENTION (Ref # 7)	92081-1129	2
COLLAR (Ref # 8)	92027-1069	1
LEVER-COMP-CHANGE (Ref # 9)	13161-1031	1
SPRING-CHANGE LEVER (Ref # 10)	92081-076	1
STOPPER ASSY,CHANGE (Ref # 11)	13244-1002	2
SCREW CNTSNK HD 6X12 (Ref # 12)	221B0612	1
LEVER A, GEAR CHANGE (Ref # 13)	13168-1012	1
LEVER B, GEAR CHANGE (Ref # 14)	13236-1002	1
SPRING (Ref # 15)	92081-119	1
SPRING,GEAR CHANG LVR (Ref # 16)	92081-1061	1
WASHER,PLAIN (Ref # 17)	92022-1053	1
SCREW-PAN HEAD (Ref # 18)	92011-023	1
DRUM ASSY-CHANGE (Ref # 19)	13239-1025	2
PIN,DOWEL (Ref # 20)	92043-1028	1
PIN GEAR CHANGE DRUM (Ref # 20)	92042-014	1
PLTE,SHIFT DRUM PIN (Ref # 21)	13142-017	1
HOLDER,GEAR CHANGE DR (Ref # 21)	13091-1052	1
WASHER LOCK 6MM (Ref # 22)	464H0600	1
SCREW PAN HEAD 6X14 (Ref # 23)	220B0614	1
SCREW CNTSNK HD 6X20 (Ref # 23)	221B0620	1
ROD,SHIFT,90M/M (Ref # 24)	49047-1001	1

## 1978 KX™125 PARTS LIST

GEAR CHANGE MECHANISM ('78-'79 KX125-A4/

ITEM NAME	PART NUMBER	QUANTITY
SHIFT FORK (Ref # 25)	13140-1011	1
SHIFT FORK (Ref # 26)	13140-1012	1
ROD,SHIFT,82M/M (Ref # 27)	49047-1004	1
SHIFT FORK (Ref # 28)	13140-1010	1