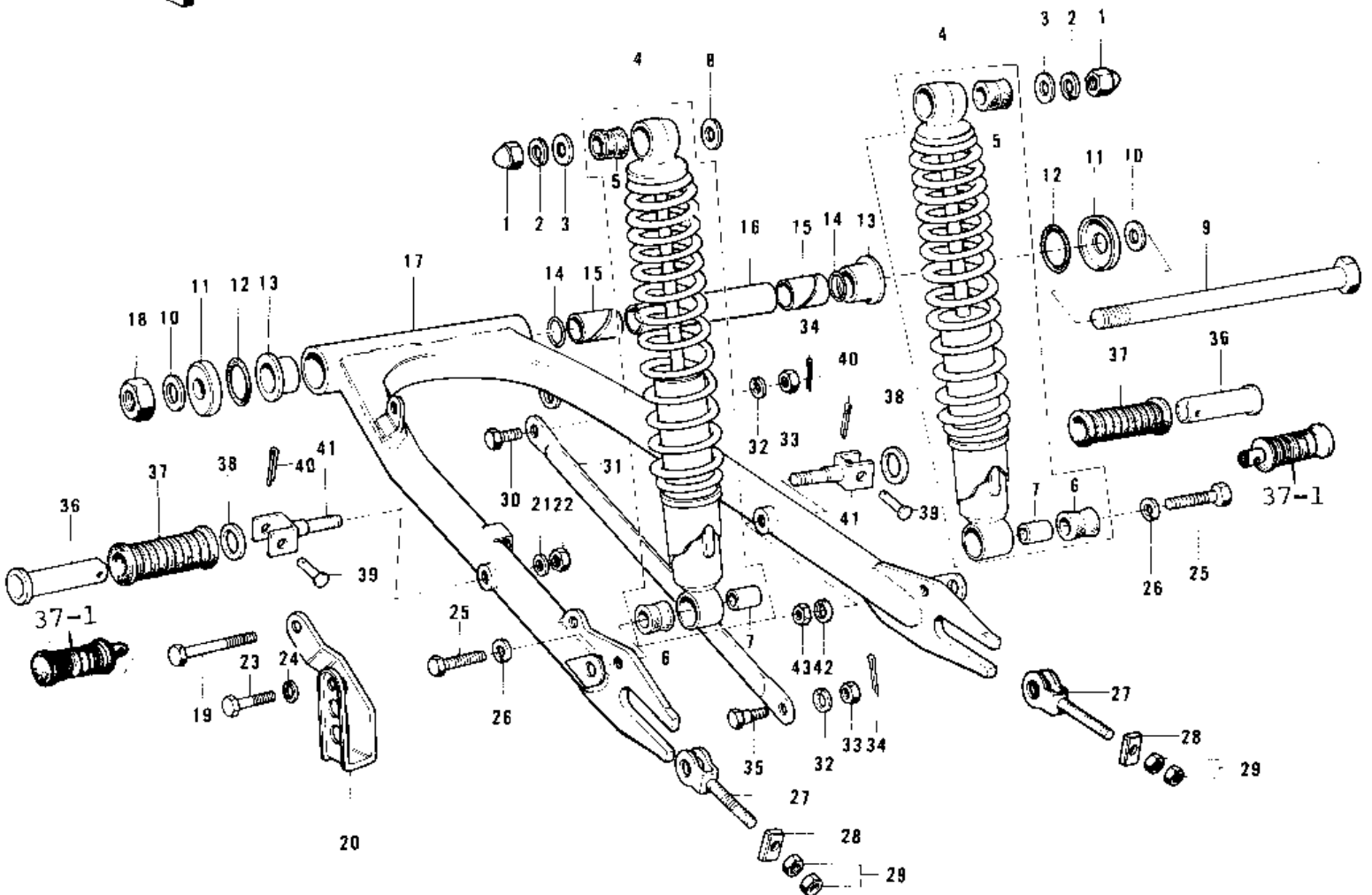


## 1976 KE125 PARTS DIAGRAM

SWING ARM/SHOCK ABSORBERS ('76-'79)



## 1976 KE125 PARTS LIST

SWING ARM/SHOCK ABSORBERS ('76-'79)

ITEM NAME	PART NUMBER	QUANTITY
NUT SHOCK ABSORBER (Ref # 1)	92020-003	1
WASHER SPRING 10MM (Ref # 2)	461F1000	4
WASHER-PL-10.5X26X2.3 (Ref # 3)	92022-044	1
SHOCK ABSBR RR (Ref # 4)	45014-113	1
SHOCK ABSBR RR (Ref # 4)	45014-1017	1
BUSH A-SHCK ABS RUBER (Ref # 5)	45017-010	1
BUSHING,RUBBER (Ref # 6)	92075-1020	1
BUSH SHCK ABS PVT SFT (Ref # 7)	45016-003	1
WASHER PLAIN 12MM (Ref # 8)	410B1200	2
SHAFT-SWING ARM PIVOT (Ref # 9)	33032-034	1
CAP-SWINGING ARM (Ref # 11)	33035-005	1
"O" RING,30MM (Ref # 12)	671B2530	1
BUSHING-SWING ARM (Ref # 13)	33033-009	1
"O" RING,16MM (Ref # 14)	670B2016	1
"O" RING,16MM (Ref # 14)	92055-001	1
SLEEVE-SWINGING ARM (Ref # 15)	33034-016	1
COLLAR,SWING ARM,LONG (Ref # 16)	33036-007	1
ARM,SWINGING (Ref # 17)	33001-063	1
SWING ARM (Ref # 17)	33001-080	1
NUT-LOCK,12MM (Ref # 18)	92019-009	1
BOLT,HEX HEAD,10X50 (Ref # 19)	92001-1254	1
GUARD,CHAIN (Ref # 20)	55020-016	1
NUT,10MM (Ref # 22)	314B1000	2
BOLT-SMALL-UPSET,8X16 (Ref # 23)	115G0816	1
WASHER SPRING 8MM (Ref # 24)	461F0800	2
BOLT,HEX HEAD 10X35 (Ref # 25)	92001-1252	1
ADJUSTER,CHAIN (Ref # 27)	33040-057	1
ADJUSTER,CHAIN (Ref # 27)	33040-073	1
PLATE-CHAIN ADJUSTER (Ref # 28)	33041-002	1

## 1976 KE125 PARTS LIST

SWING ARM/SHOCK ABSORBERS ('76-'79)

ITEM NAME	PART NUMBER	QUANTITY
PLATE,CHAIN ADJUSTER (Ref # 28)	33041-005	1
NUT,8MM (Ref # 29)	311B0800	1
BOLT,HEX HEAD,AX24 (Ref # 30)	92003-143	1
TORQUE LINK,REAR BRK (Ref # 31)	43007-039	1
NUT,8MM (Ref # 33)	320B0800	1
PIN COTTER 2.0X20 (Ref # 34)	550D2020	1
BOLT,RR TORQUE LINK (Ref # 35)	92003-144	1
BAR-RR FOOTREST (OPT) (Ref # 36)	34028-009	1
RUBBER,REAR FOOTREST (Ref # 37)	92076-024	1
RUBBER,FOOTREST (Ref # 37-1)	92076-027	1
WASHER-PLAIN (OPT) (Ref # 38)	92022-199	1
PIN (Ref # 39)	92043-1464	1
PIN,COTTER,2.0X12 (Ref # 40)	550D2012	1
BRACKET,REAR FOOTREST (Ref # 41)	34029-013	1