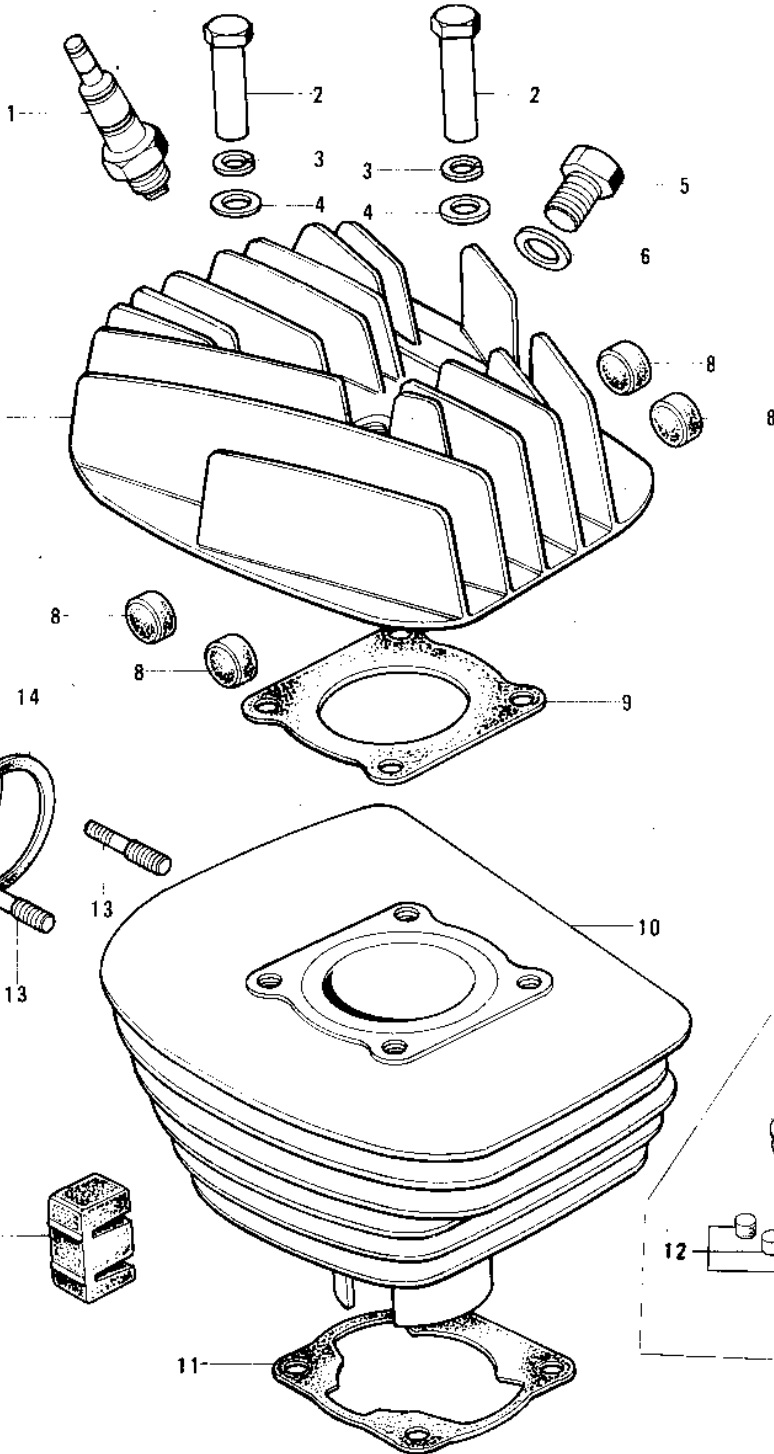


1976 KE125 PARTS DIAGRAM

CYLINDER HEAD/CYLINDER ('76-'79)



1976 KE125 PARTS LIST

CYLINDER HEAD/CYLINDER ('76-'79)

ITEM NAME	PART NUMBER	QUANTITY
SPARK PLUG B7HS (Ref # 1)	B7HS	1
NUT 8MM (Ref # 2)	92015-020	1
WASHER SPRING 12MM (Ref # 3)	461F1200	1
WASHER PLAIN 12MM (Ref # 4)	92022-072	1
PLUG-CYLINDER HEAD (Ref # 5)	92067-005	1
GASKET-CYL HEAD PLUG (Ref # 6)	92065-068	1
CYLINDER HEAD, BLACK (Ref # 7)	11001-091-21	1
DAMPER RUBBER (Ref # 8)	92075-075	1
GASKET, CYLINDER HEAD (Ref # 9)	11004-064	1
CYLINDER, F. BLACK (Ref # 10)	11005-1030	1
CYLINDER (Ref # 10)	11005-1001	1
GASKET, CYLINDER BASE (Ref # 11)	11009-037	1
DAMPER RUBBER, CYLINDER (Ref # 12)	92075-247	1
DAMPER RUBBER-CYL-HEAD (Ref # 12)	92075-109	1
STUD (Ref # 13)	92004-029	1
GASKET EXHAUST PIPE (Ref # 14)	18067-008	1
INSERT, EXHAUST HOLDER (Ref # 15)	18070-007	1
HOLDER, EXHAUST PIPE (Ref # 16)	18069-057	1
NUT, LOCK 6MM (Ref # 17)	92017-014	1
DAMPER RUBBER-CYL HD (Ref # 18)	92075-117	1