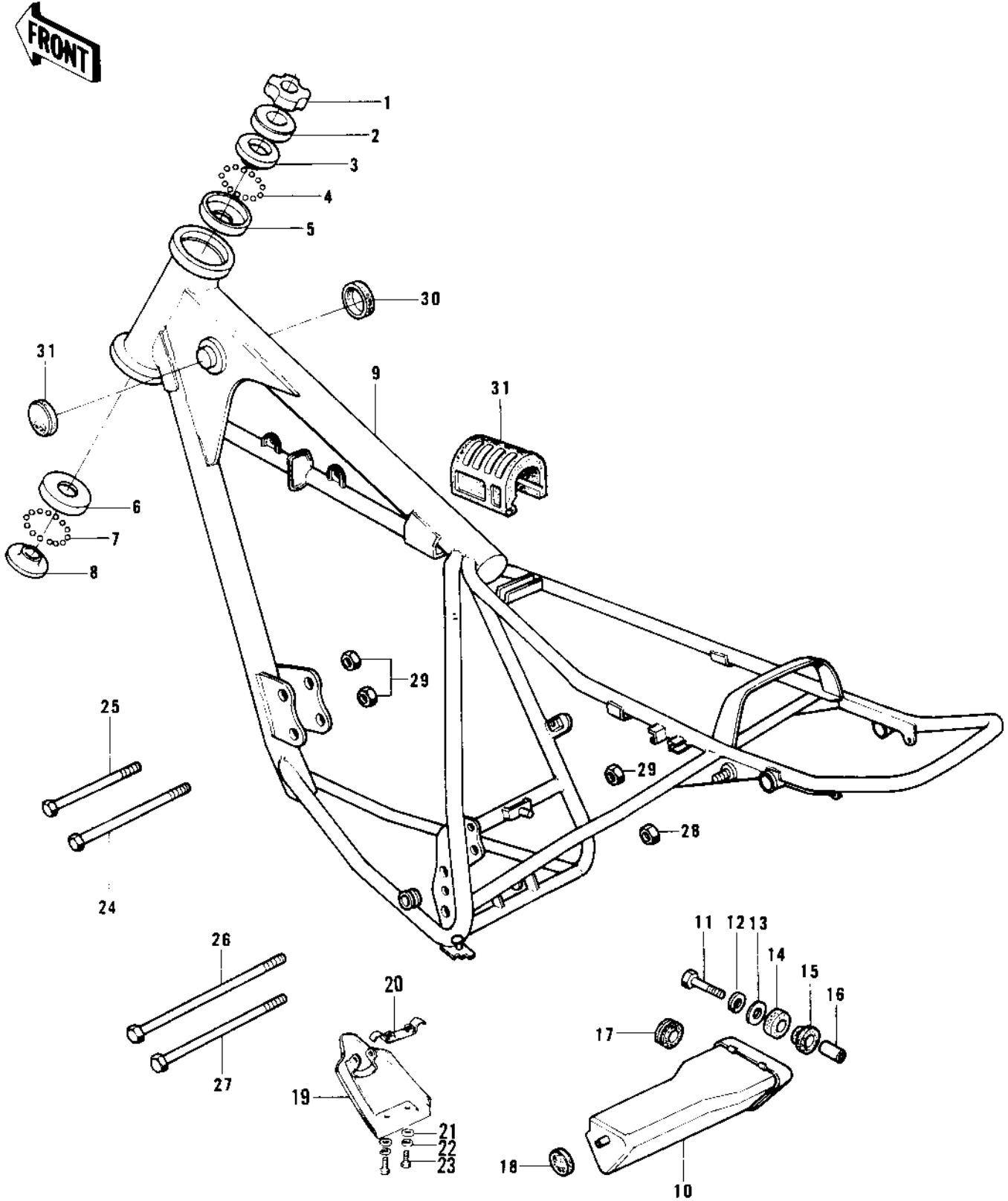


1976 KD125 PARTS DIAGRAM

FRAME/FRAME FITTINGS



1976 KD125 PARTS LIST

FRAME/FRAME FITTINGS

ITEM NAME	PART NUMBER	QUANTITY
NUT,STEERING STEM (Ref # 1)	92090-022	1
CAP,STEERING STEM (Ref # 2)	46098-012	1
CONE,STRG STM BRG,UP (Ref # 3)	92047-014	1
BALL STEEL 3/16' (Ref # 4)	600A0600	1
RACE,STRG STM BEARING (Ref # 5)	92048-009	1
CONE STERNG BERG LOW (Ref # 6)	92047-010	1
BALL STEEL 1/4' (Ref # 7)	600A0800	1
RACE STEERING BEARING (Ref # 8)	92048-005	1
FRAME (Ref # 9)	32002-099	1
CASE,TOOL (Ref # 10)	32098-022	1
BOLT-UPSET (Ref # 11)	112G0625	1
WASHER SPRING 6MM (Ref # 12)	461F0600	2
WASHER,PLAIN,7MM (Ref # 13)	92022-228	1
DAMPER RUBBER (Ref # 14)	92075-175	1
RUBBER,FENDER COVER (Ref # 15)	92075-174	1
COLLAR,REAR FENDER (Ref # 16)	92027-162	1
DAMPER RUBBER-OIL TNK (Ref # 17)	92075-150	1
DAMPER RUBBER (Ref # 18)	92075-107	1
GUARD,ENGINE (Ref # 19)	55011-020	1
BRACKET,ENGINE GUARD (Ref # 20)	55016-008	1
WASHER 6.5X20X1.6T (Ref # 21)	92022-125	1
BOLT-UPSET,6X16 (Ref # 23)	112G0616	1
BOLT,HEX HEAD,8X65 (Ref # 24)	110B0865	2
BOLT FLANGED,8X70 (Ref # 24)	92001-1583	1
BOLT,HEX HEAD,10X130 (Ref # 26)	92001-1249	2
BOLT,HEX HEAD,10X117 (Ref # 27)	92001-1246	2
BOLT,FLANGED,10X115 (Ref # 27)	92001-1603	2
NUT,10MM (Ref # 28)	92015-1429	1
NUT,LOCK,8MM (Ref # 29)	92017-013	1

1976 KD125 PARTS LIST

FRAME/FRAME FITTINGS

ITEM NAME	PART NUMBER	QUANTITY
DAMPER RUBBER-FL TANK (Ref # 30)	92075-101	1
DAMPER RUBBER,FL TNK (Ref # 31)	92075-215	1
DAMPER RUBBER (Ref # 31)	92075-284	1