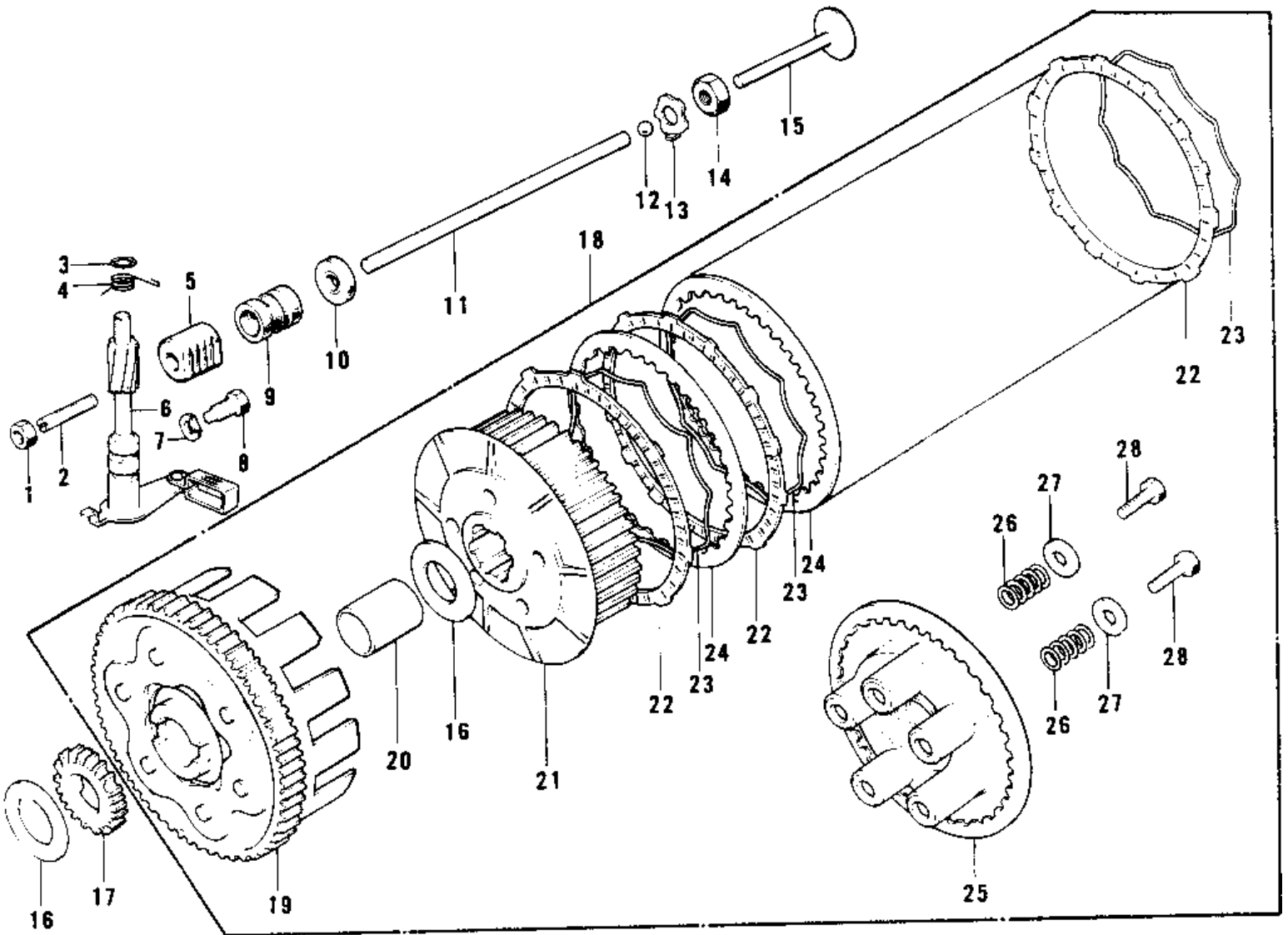


1976 KD125 PARTS DIAGRAM

CLUTCH



1976 KD125 PARTS LIST

CLUTCH

ITEM NAME	PART NUMBER	QUANTITY
NUT 6MM (Ref # 1)	311B0600	1
SCREW,SLOTTED,6X26 (Ref # 2)	92014-015	1
"O" RING, 10MM (Ref # 3)	670B2010	1
SPRING,CLUTCH RELESE (Ref # 4)	92083-024	1
ROD,CLTCH RELESE PUSH (Ref # 5)	13116-026	1
SHAFT ASY,CLTCH RELES (Ref # 6)	13234-003	1
WASHER,LOCK (Ref # 7)	92031-009	1
BOLT,CLUTCH RELEASE (Ref # 8)	92003-130	1
COLLAR (Ref # 9)	92027-207	1
OIL SEAL,PUSH ROD (Ref # 10)	92050-058	1
ROD,CLUTCH PUSH,LONG (Ref # 11)	13116-027	1
BALL STEEL 7/32' (Ref # 12)	600A0700	1
WASHER-LOCK,14MM (Ref # 13)	92024-046	1
NUT 14MM (Ref # 14)	315B1400	1
PUSHER-CLTCH SPRG PLT (Ref # 15)	13116-016	1
WASHER,PLAIN (Ref # 16)	92022-270	1
PINION,KICKSTARTER (Ref # 17)	13075-010	1
CLUTCH-ASSY (Ref # 18)	13081-1053	1
HOUSING CLUTCH (Ref # 19)	13095-1034	1
BUSHING,CLUTCH (Ref # 20)	92028-138	1
HUB,CLUTCH (Ref # 21)	13087-038	1
PLATE-FRICTION (Ref # 22)	13088-1015	1
RING-CLUTCH STEEL (Ref # 23)	13229-002	1
PLATE CLUTCH STEEL (Ref # 24)	13089-003	1
PLATE-CLUTCH SPRING (Ref # 25)	13187-004	1
SPRING,CLUTCH (Ref # 26)	92081-123	1
WASHER-PLAIN,5MM (Ref # 27)	92022-167	1
BOLT,5X18 (Ref # 28)	92003-078	1