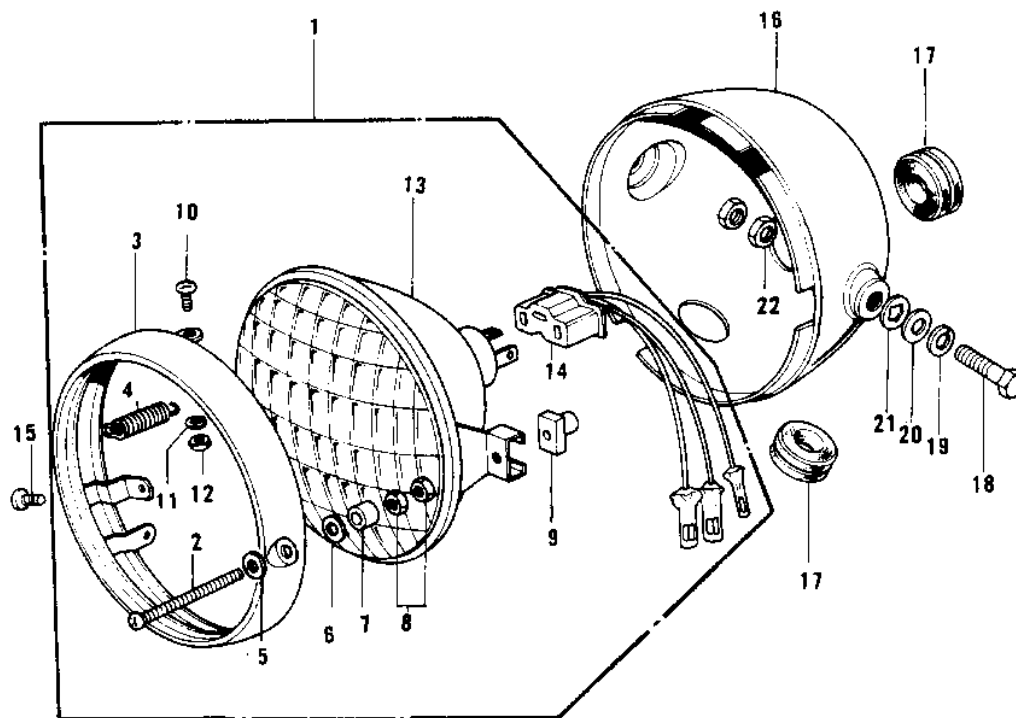


## 1970 PARTS DIAGRAM

HEADLIGHT G4TR-D/E ('74-'75)



# G4TR-D

## 1970 PARTS LIST

HEADLIGHT G4TR-D/E ('74-'75)

ITEM NAME	PART NUMBER	QUANTITY
LAMP UNIT HEAD (Ref # 1)	23003-009	1
SCREW ADJUST (Ref # 2)	23019-013	1
RIM HEAD LAMP (Ref # 3)	23006-020	1
SPRING LENS FITTING (Ref # 4)	23014-008	1
WASHER-FOCUS ADJUST (Ref # 5)	23021-008	1
WASHER ADJUST (Ref # 6)	23021-007	1
WASHER FITTING (Ref # 7)	23058-001	1
NUT ADJUST (Ref # 8)	23020-013	1
NUT ADJUST (Ref # 9)	23020-012	1
SCREW FITTING (Ref # 10)	23019-014	1
WASHER SPRING 4MM (Ref # 11)	461F0400	1
NUT,4MM (Ref # 12)	311B0400	1
SEALED BEAM UNIT (Ref # 13)	23007-023	1
SOCKET ASSY,HD LIGHT (Ref # 14)	23008-044	1
SCREW OVL CNTSNK 5X8 (Ref # 15)	222E0508A	1
BODY,HEAD LAMP,BLACK (Ref # 16)	23005-051-21	1
GROMMET (Ref # 17)	23023-011	1
BOLT,HEX HEAD,10X25 (Ref # 18)	92007-045	1
WASHER SPRING 10MM (Ref # 19)	461F1000	1
WASHER PLAIN 10MM (Ref # 20)	411B1000	1
WASHER LOCK 10MM (Ref # 21)	463H1000	1
NUT 10MM (Ref # 22)	92016-027	1