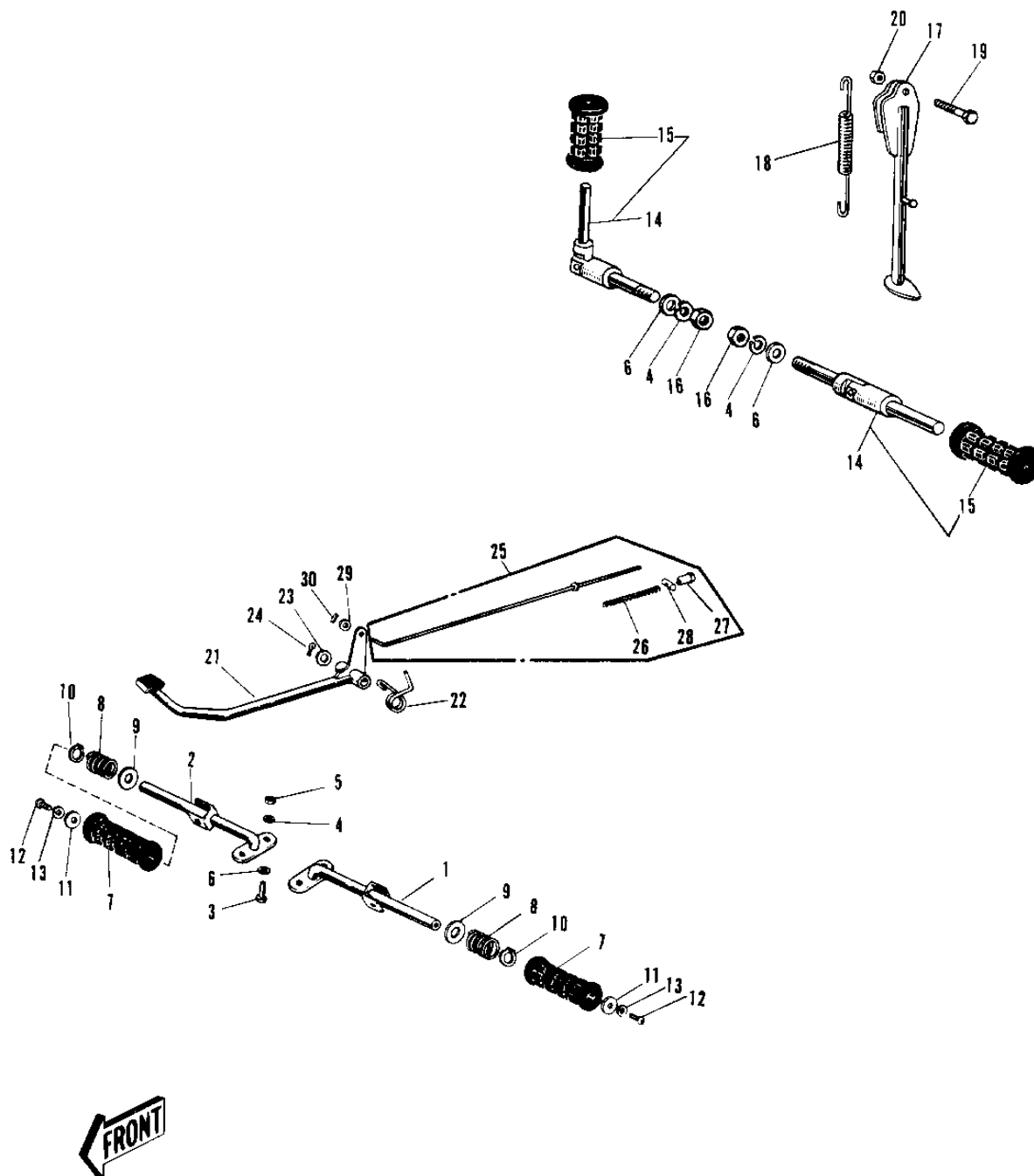


## 1970 PARTS DIAGRAM

FOOTRESTS/STAND/BRAKE PEDAL G4TR/A/B ('7



**G4TR/A**

## 1970 PARTS LIST

FOOTRESTS/STAND/BRAKE PEDAL G4TR/A/B ('7

ITEM NAME	PART NUMBER	QUANTITY
BAR FOOTREST L.H (Ref # 1)	34003-018	1
BAR FOOTREST R.H (Ref # 2)	34003-019	1
BOLT-UPSET,10X20 (Ref # 3)	112B1020	1
WASHER SPRING 10MM (Ref # 4)	461F1000	1
NUT 10MM (Ref # 5)	315B1000	2
WASHER PLAIN 10MM (Ref # 6)	410B1000	1
RUBBER FOOTREST (Ref # 7)	92076-006	1
SPRING FOOTREST PEG (Ref # 8)	34006-002	1
WASHER FOLDING PEG (Ref # 9)	92022-049	1
CIRCLIP 16MM (Ref # 10)	480J1600	1
WASHER PLAIN (Ref # 11)	92022-024	1
SCREW PAN HEAD 6X20 (Ref # 12)	220B0620	1
WASHER SPRING 6MM (Ref # 13)	461F0600	1
BAR SET-REAR FOOTREST (Ref # 14)	34030-001	1
RUBBER REAR FOOTREST (Ref # 15)	92076-008	1
NUT,10MM (Ref # 16)	314B1000	1
STAND-SIDE (Ref # 17)	34024-035	1
SPRING,SIDE STAND (Ref # 18)	34025-001	1
BOLT,HEX HEAD,10X25 (Ref # 19)	113G1025	1
PEDAL-BRAKE (Ref # 21)	43001-045	1
SPRING BRAKE PEDAL (Ref # 22)	43005-007	1
WASHER BRAKE PEDAL (Ref # 23)	92022-085	1
PIN COTTER 3.0X30 (Ref # 24)	550D3030	1
BRAKE ROD ASSY (Ref # 25)	43010-5003	3
SPRING,BRAKE ROD (Ref # 26)	43012-001	1
NUT-BRAKE ROD ADJUST (Ref # 27)	92015-042	2
PIN BRAKE (Ref # 28)	92043-039	1
WASHER PLAIN 6MM (Ref # 29)	410B0600	1
PIN COTTER 2.0X15 (Ref # 30)	550D2015	1