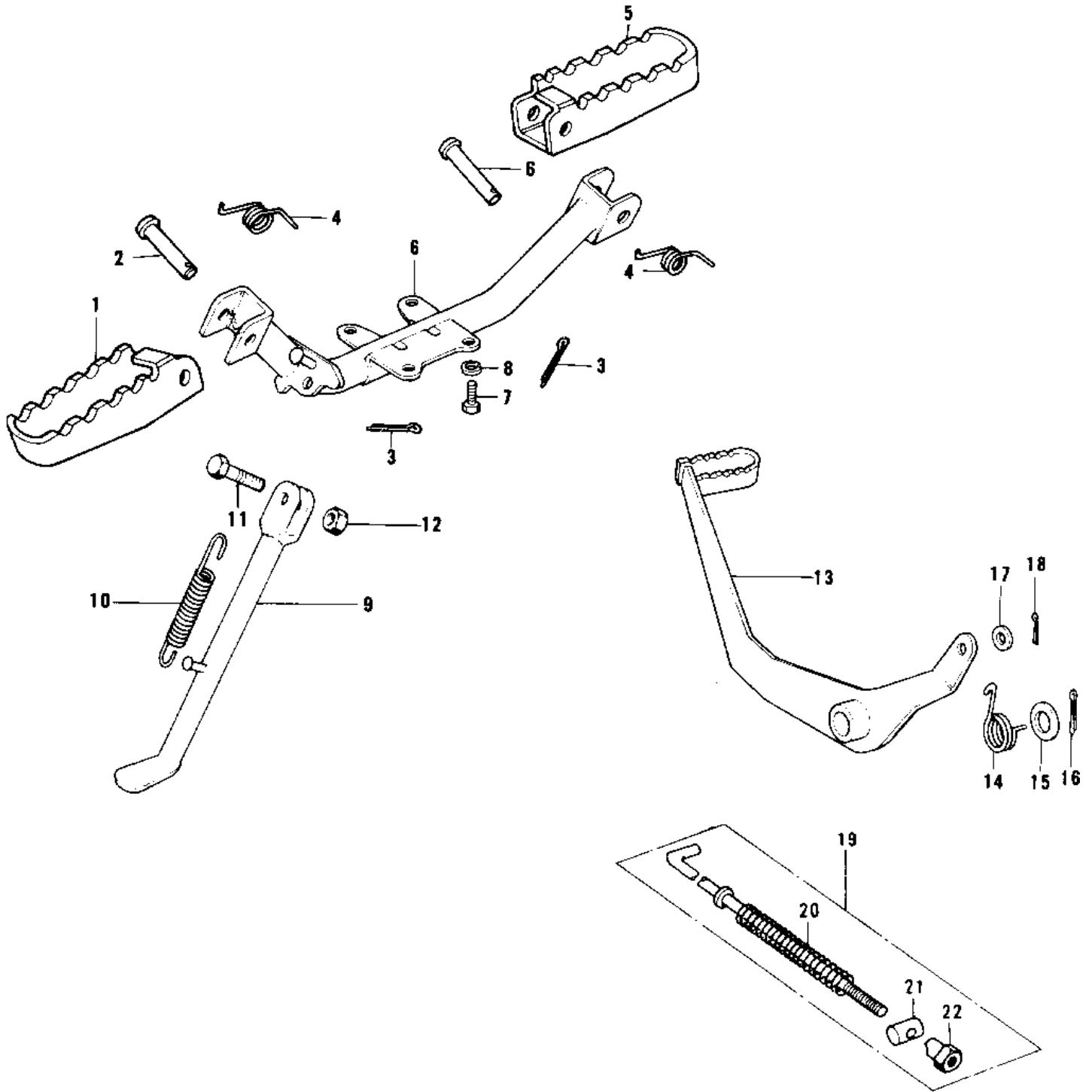


## 1975 KD80 PARTS DIAGRAM

FOOTRESTS/STAND/BRAKE PEDAL



## 1975 KD80 PARTS LIST

FOOTRESTS/STAND/BRAKE PEDAL

ITEM NAME	PART NUMBER	QUANTITY
BAR,L.H FOOTREST (Ref # 1)	34028-024	1
PIN-FOOTREST BAR FIT (Ref # 2)	92043-080	1
PIN,COTTER,2.5X15 (Ref # 3)	550D2515	1
SPRING,FOOTRESTBAR (Ref # 4)	92083-027	1
BAR,R.H FOOTREST (Ref # 5)	34028-023	1
BAR,FOOTREST (Ref # 6)	34002-047	1
BOLT-SMALL-UPSET,8X18 (Ref # 7)	115G0818	1
WASHER SPRING 8MM (Ref # 8)	461F0800	1
STAND-SIDE (Ref # 9)	34024-1013	1
SPRING MAIN STAND (Ref # 10)	34023-005	1
BOLT,HEX HEAD,10X25 (Ref # 11)	113G1025	1
NUT,10MM (Ref # 12)	314B1000	1
PEDAL,BRAKE (Ref # 13)	43001-062	1
SPRING-BRAKE PEDAL (Ref # 14)	43005-020	1
WASHER BRAKE PEDAL (Ref # 15)	92022-085	1
PIN COTTER 3.0X30 (Ref # 16)	550D3030	1
WASHER PLAIN 6MM (Ref # 17)	410B0600	1
PIN COTTER 2.0X15 (Ref # 18)	550D2015	1
ROD ASSY,REAR BRAKE (Ref # 19)	43010-5004	1
SPRING,BRAKE ROD (Ref # 20)	43012-001	1
PIN BRAKE (Ref # 21)	92043-039	1
NUT-BRAKE ROD ADJUST (Ref # 22)	92015-042	1