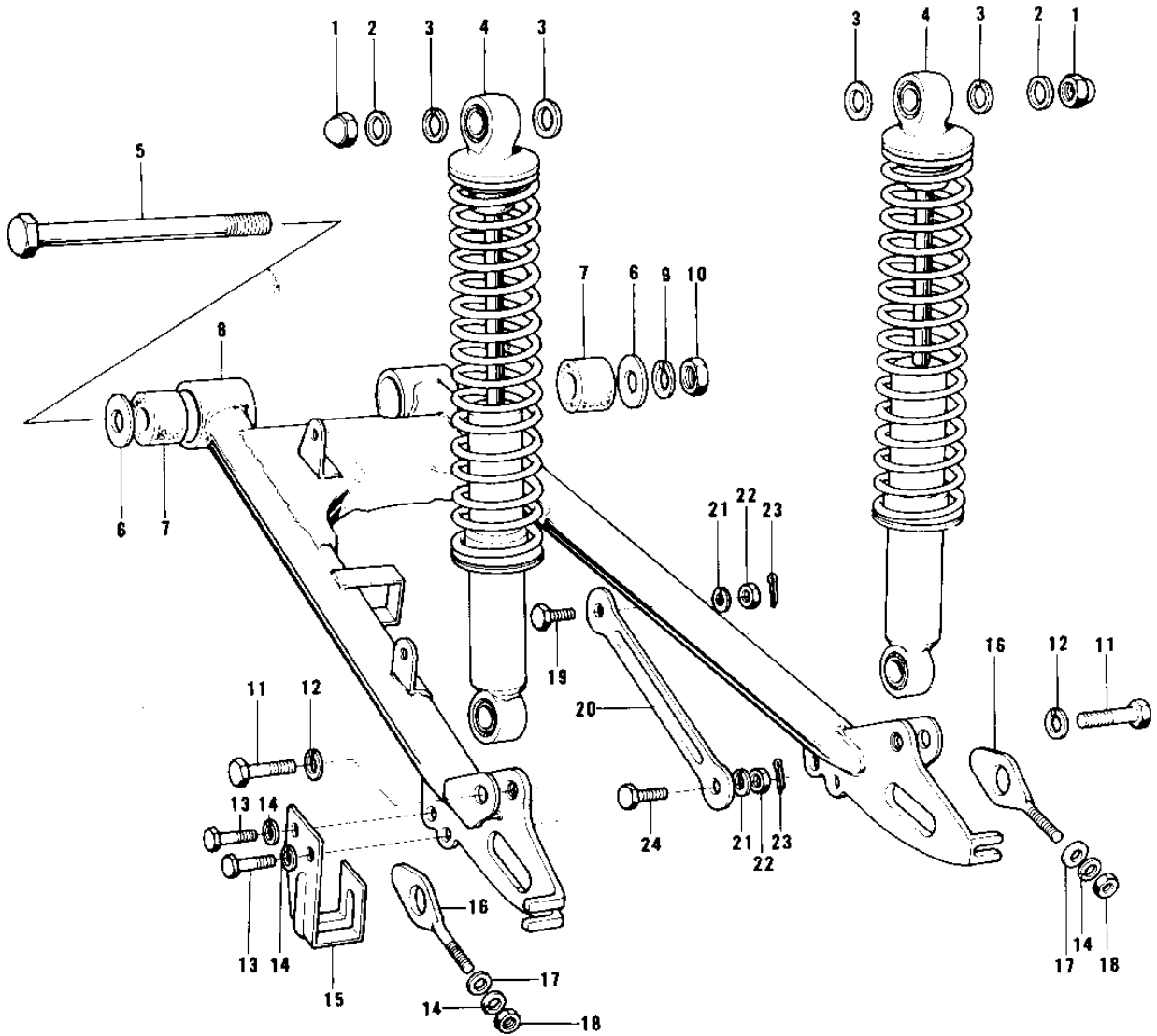


1975 KD80 PARTS DIAGRAM

SWING ARM/SHOCK ABSORBERS



1975 KD80 PARTS LIST

SWING ARM/SHOCK ABSORBERS

| ITEM NAME | PART NUMBER | QUANTITY |
|---------------------------------|-------------|----------|
| NUT 12MM (Ref # 1) | 92020-014 | 1 |
| WASHER SPRING 12MM (Ref # 2) | 461F1200 | 2 |
| WASHER PLAIN 12MM (Ref # 3) | 410B1200 | 2 |
| SHOCK ABSBR RR (Ref # 4) | 45014-100 | 1 |
| SHAFT,SWING ARM PIVOT (Ref # 5) | 33032-043 | 1 |
| BUSH SWING ARM SHAFT (Ref # 7) | 92092-005 | 1 |
| ARM,SWINGING (Ref # 8) | 33001-055 | 1 |
| NUT-HEX-FINE (Ref # 10) | 314B1200 | 1 |
| BOLT HEX HEAD 10X28 (Ref # 11) | 113N1028 | 1 |
| WASHER SPRING 10MM (Ref # 12) | 461F1000 | 2 |
| BOLT-UPSET 6X14 (Ref # 13) | 112B0614 | 1 |
| WASHER SPRING 6MM (Ref # 14) | 461F0600 | 1 |
| GUARD,CHAIN (Ref # 15) | 55020-012 | 1 |
| ADJUSTER CHAIN (Ref # 16) | 33040-008 | 1 |
| WASHER PLAIN (Ref # 17) | 92022-024 | 1 |
| NUT 6MM (Ref # 18) | 311B0600 | 1 |
| BOLT TORQUE LINK FIT (Ref # 19) | 92003-017 | 1 |
| TORQUE LINK,RR BRAKE (Ref # 20) | 43007-037 | 1 |
| NUT,10MM (Ref # 22) | 314B1000 | 1 |
| PIN COTTER 2.0X15 (Ref # 23) | 550D2015 | 1 |
| BOLT HEX HEAD 10X25 (Ref # 24) | 92003-003 | 1 |