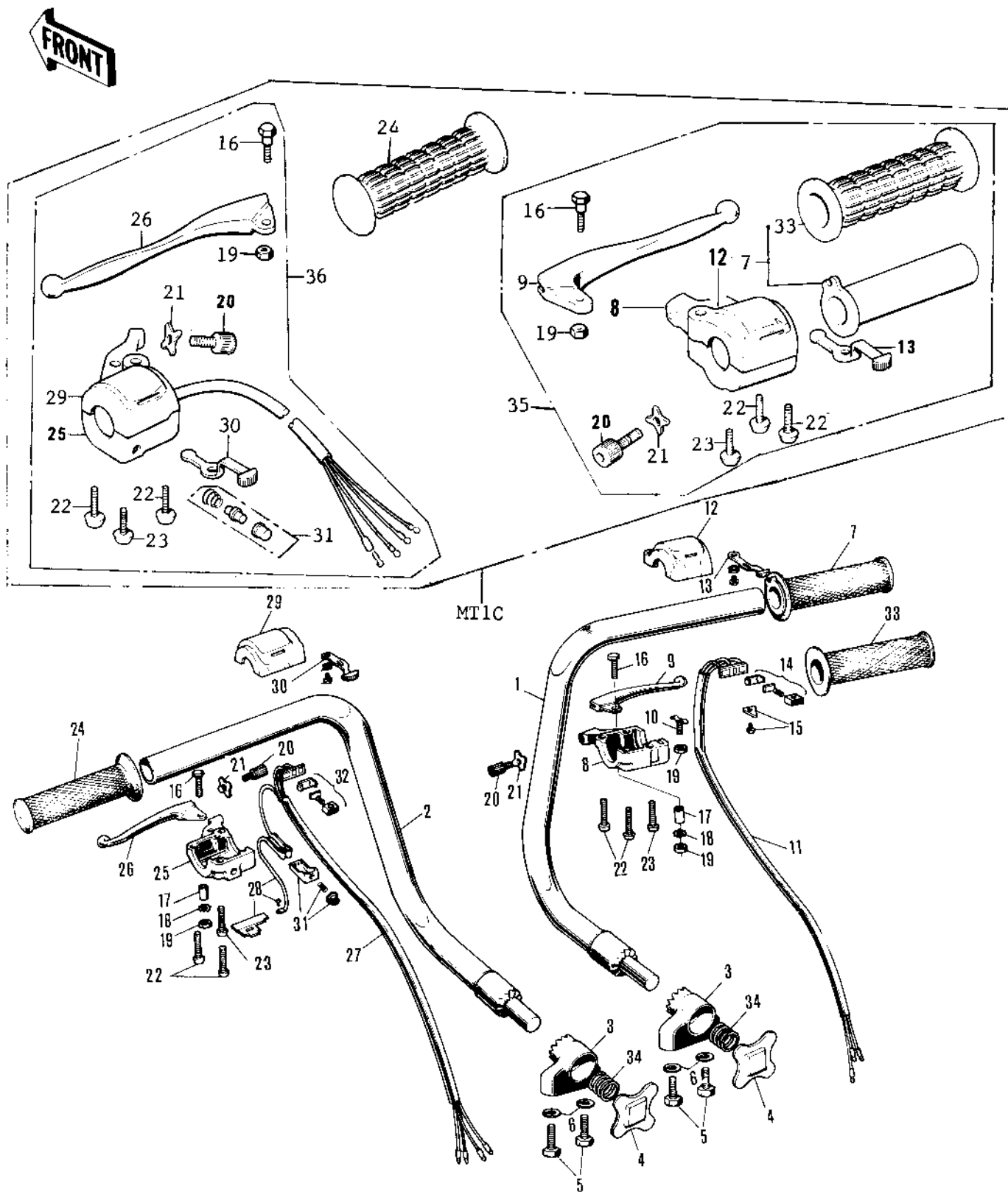


1972 PARTS DIAGRAM

HANDLEBAR ('71-'75)



1972 PARTS LIST

HANDLEBAR ('71-'75)

ITEM NAME	PART NUMBER	QUANTITY
HANDLEBAR,RH (Ref # 1)	46007-010	1
HANDLEBAR,LH (Ref # 2)	46007-011	1
HOLDER-HANDLEBAR (Ref # 3)	46012-009	1
KNOB-HANDLEBAR HOLDER (Ref # 4)	46129-001	1
BOLT HEX HEAD 10X18 (Ref # 5)	113B1018	1
WASHER SPRING 10MM (Ref # 6)	461F1000	1
GRIP-ASSY,RH (Ref # 7-21,2)	46017-1071	2
GRIP ASSY THROTTLE (Ref # 7)	46019-005	1
GRIP ASSY,THROTTLE (Ref # 7)	46019-024	1
CASE R.H SWITCH LOWER (Ref # 8)	46022-012	1
CASE,R.H LOWER (Ref # 8)	46022-017	1
LEVER FRONT BRAKE (Ref # 9)	46058-004	1
SPRING THROTTLE GRIP (Ref # 10)	46024-002	1
WIRING HARNESS R.H SW (Ref # 11)	46032-010	1
CASE,R.H. UPPER (Ref # 12)	46040-015	1
KNOB ASSY R.H SWITCH (Ref # 13)	46043-002	1
SLIDE BLOCK AY R.H SW (Ref # 14)	46045-004	1
HOLDER WIRING HARNESS (Ref # 15)	46085-012	1
BOLT HEX HEAD 5X20 (Ref # 16)	92007-020	1
BOLT,HEX HEAD,5X22 (Ref # 16)	92007-046	1
COLLAR LEVER (Ref # 17)	46059-011	1
WASHER LOCK 5MM (Ref # 18)	464H0500	1
NUT 5MM (Ref # 19)	312B0500A	1
NUT-LOCK,5MM (Ref # 19)	92019-014	1
SCREW,CABLE ADJUST (Ref # 20)	46055-010	1
NUT LOCK ADJUST SCREW (Ref # 21)	46056-001	1
SCREW PAN HEAD 5X20 (Ref # 22)	220B0520A	1
SCREW PAN HEAD 5X18 (Ref # 23)	220B0518A	1
GRIP ASSY L.H (Ref # 15-32)	46074-017	1

1972 PARTS LIST

HANDLEBAR ('71-'75)

ITEM NAME	PART NUMBER	QUANTITY
RUBBER L.H GRIP (Ref # 24)	46075-007	1
RUBBER,L.H GRIP (Ref # 24)	46075-020	1
CASE L.H SWITCH LOWER (Ref # 25)	46077-008	1
CASE, L.H. LOWER (Ref # 25)	46077-026	1
LEVER-CLUTCH (Ref # 26)	46092-015	2
WIRING HARNESS L.H SW (Ref # 27)	46082-009	1
HOLDER L.H SWITCH (Ref # 28)	46085-008	1
CASE L.H SWITCH UPPER (Ref # 29)	46086-007	1
CASE,L.H UPPER (Ref # 29)	46086-025	1
KNOB ASSY L.H SWITCH (Ref # 30)	46088-001	1
SWITCH ASSY LH BUTTON (Ref # 31)	46078-003	1
SLIDE BLOCK AY L.H SW (Ref # 32)	46089-002	1
RUBBER R.H GRIP (Ref # 33)	46061-009	1
RUBBER,R.H.GRIP (Ref # 33)	46061-015	1
SPRING (Ref # 34)	92081-078	1
SPRING (Ref # 34)	92081-090	1
GRIP ASSY,R.H (Ref # 35)	46017-077	1
GRIP ASSY,L.H (Ref # 36)	46074-092	1