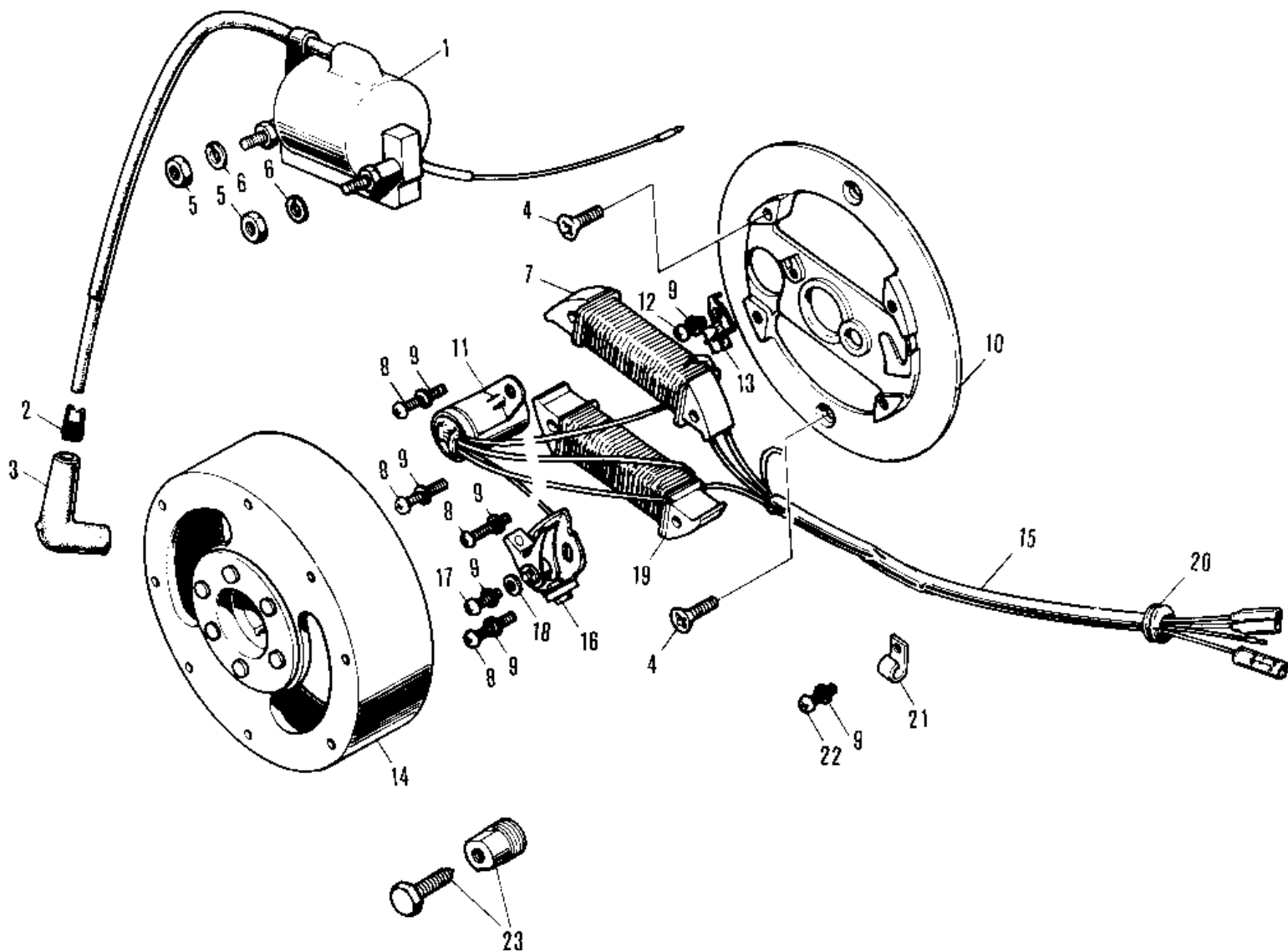


1972 PARTS DIAGRAM

IGNITION/GENERATOR ('71-'75)



1972 PARTS LIST

IGNITION/GENERATOR ('71-'75)

ITEM NAME	PART NUMBER	QUANTITY
COIL-IGNITION (Ref # 1)	21121-043	1
SPRING-SPARK PLUG CAP (Ref # 2)	92101-001	1
CAP SPARK PLUG (Ref # 3)	21130-009	1
SCREW CNTSNK HD 6X16 (Ref # 4)	221B0616	1
NUT 6MM (Ref # 5)	311B0600	1
WASHER SPRING 6MM (Ref # 6)	461F0600	1
MAGNETO ASSY (Ref # 7 22)	21002-040	1
COIL LIGHTING (Ref # 7)	21047-004	1
SCREW PAN HEAD 4X25 (Ref # 8)	220B0425	1
WASHER SPRING 4MM (Ref # 9)	461F0400	1
BASE MAGNETO (Ref # 10)	21048-004	1
CONDENSER (Ref # 11)	21013-001	1
SCREW PAN HEAD 4X10 (Ref # 12)	220B0410	1
FELT OIL (Ref # 13)	21019-005	1
FLYWHEEL (Ref # 14)	21050-003	1
WIRING HARNESS MAG (Ref # 15)	21029-001	1
BREAKER ASSY CONTACT (Ref # 16)	21008-002	1
SCREW-PAN-CRROSS,4X12 (Ref # 17)	220B0412	1
WASHER PLAIN 4MM (Ref # 18)	410B0400	1
COIL PRIMARY IGNITION (Ref # 19)	21049-003	1
GROMMET-WIRING HARN (Ref # 20)	92071-007	1
CLAMP WIRING HARNESS (Ref # 21)	21037-002	1
SCREW PAN HEAD 4X6 (Ref # 22)	220B0406	1
57001-252 (Canada) (Ref # 23)	56019-033	1