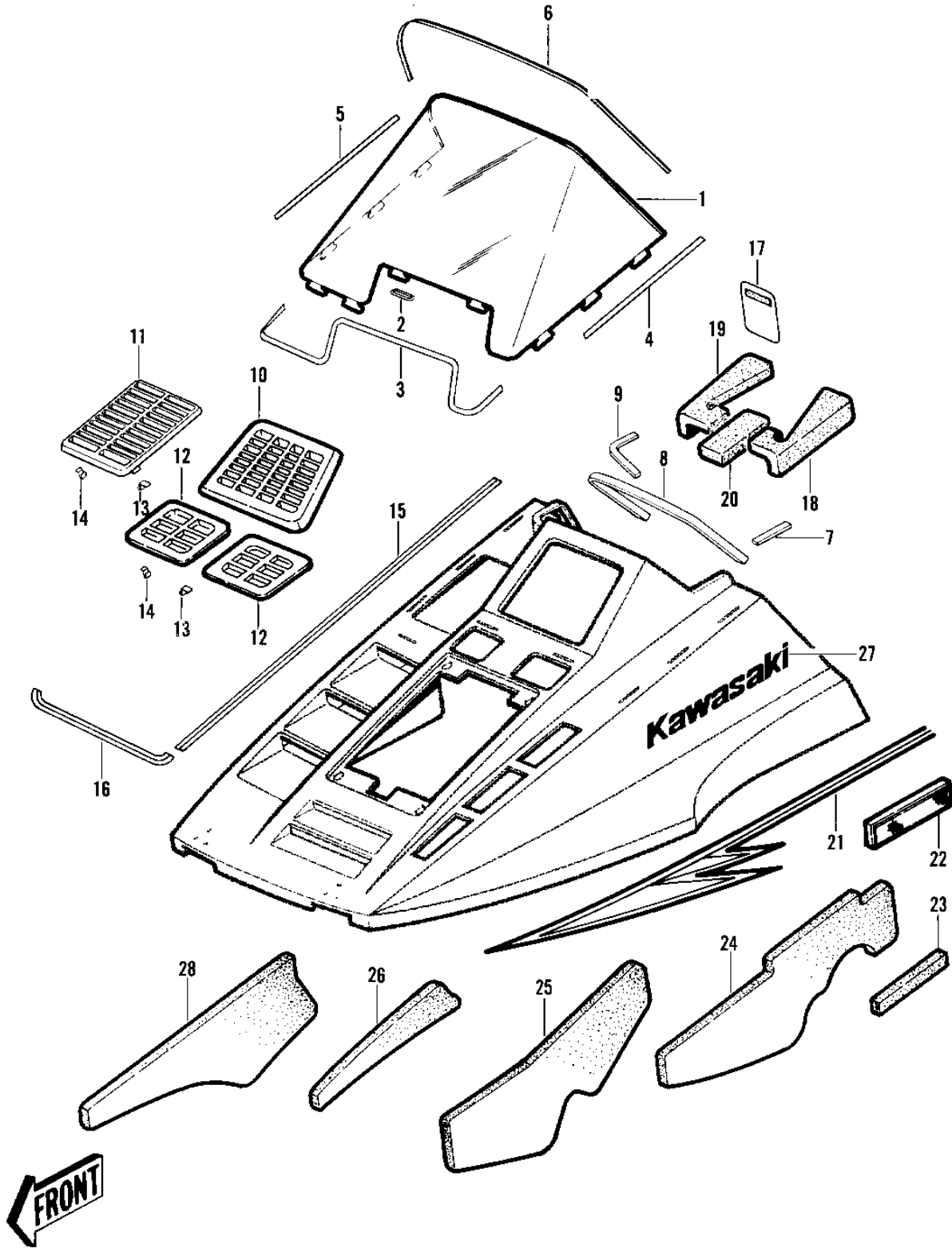


## 1982 Interceptor 550 PARTS DIAGRAM

WINDSHIELD/LABELS



## 1982 Interceptor 550 PARTS LIST

### WINDSHIELD/LABELS

ITEM NAME	PART NUMBER	QUANTITY
WINDSHIELD (Ref # 1)	39154-3518	1
WINDSHIELD-HIGH (Ref # 1)	39154-3514	1
RING-O (Ref # 2)	92055-3503	1
PATTERN-WNDSHLD-RH (Ref # 3)	56027-3565	1
PATTERN-WINDSHIELD-LH (Ref # 4)	56027-3667	1
PATTERN-WINDSHIELD-RH (Ref # 5)	56027-3666	1
PATTERN-WNDSHLD UPPER (Ref # 6)	56027-3663	1
SEAL-HOOD PANEL (Ref # 7)	39156-3536	1
SEAL-HOOD PANEL (Ref # 8)	39156-3553	1
SEAL-HOOD PANEL (Ref # 9)	39156-3537	1
PANEL-VENT (Ref # 10)	39090-3501	1
PANEL-VENT (Ref # 11)	39090-3502	1
PANEL-VENT (Ref # 12)	39090-3503	1
RETAINER-PANEL (Ref # 13)	14020-3507	1
RETAINER-PANEL VENT (Ref # 14)	14020-3516	1
PATTERN-STRIPE-LH (Ref # 15)	56027-3645	1
PATTERN-STRIPE-RH (Ref # 15)	56027-3664	1
PATTERN-ROCKER (Ref # 16)	56027-3646	1
LABEL-WARN-OPERATE (Ref # 17)	56040-3507	1
PAD-HOOD,CUT TO FIT (Ref # 18)	39156-3580	7
PATTERN-COWL-LH (Ref # 21)	56027-3647	1
PATTERN-COWL-RH (Ref # 21)	56027-3648	1
REFLECTOR-AMBER (Ref # 22)	28012-3503	1
PAD-FUEL TANK (Ref # 23)	39156-3506	1
MARK-KAWASAKI (Ref # 27)	56018-3511	1