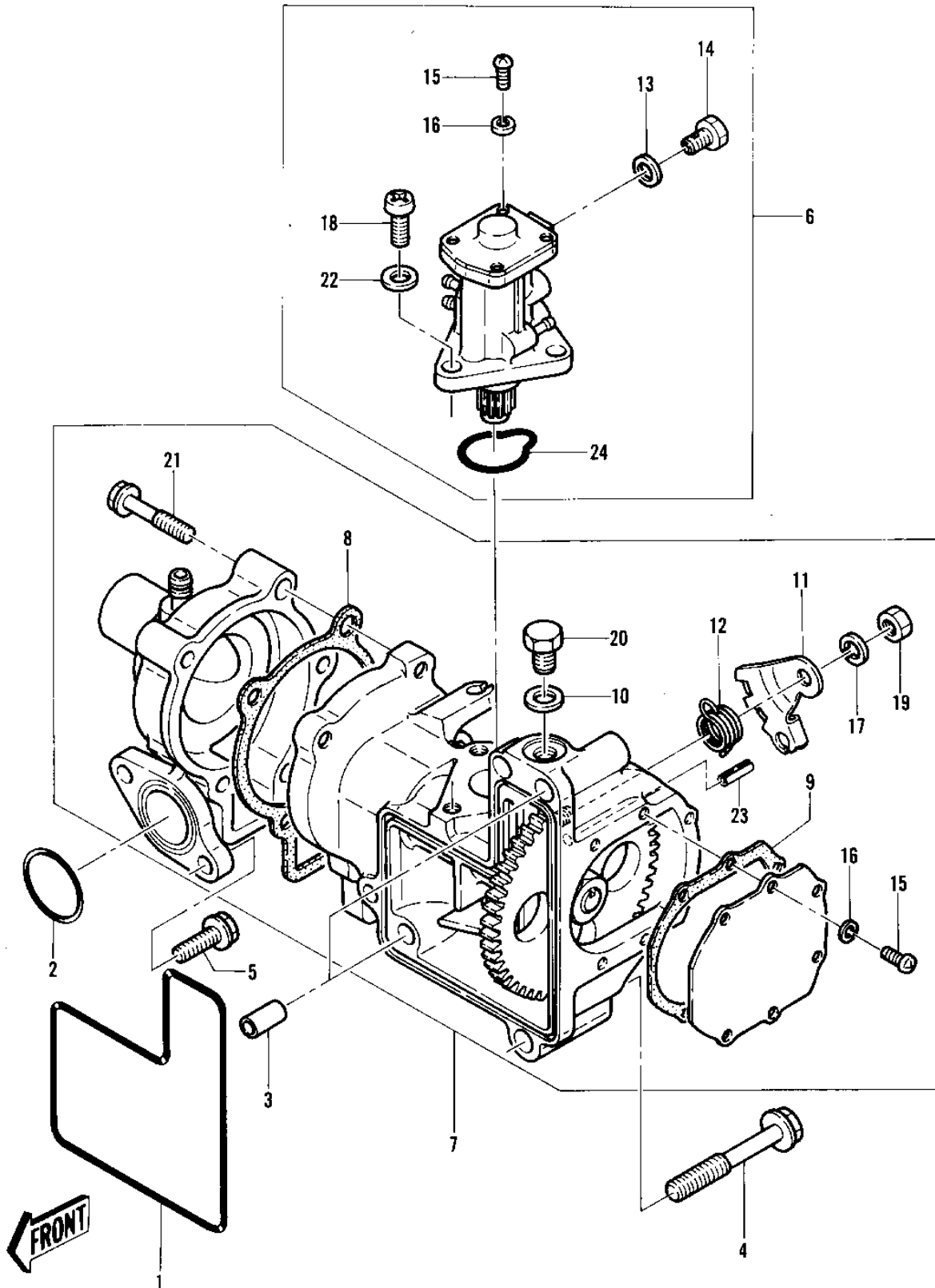


1982 Interceptor 550 PARTS DIAGRAM

OIL PUMP/WATER PUMP



1982 Interceptor 550 PARTS LIST

OIL PUMP/WATER PUMP

ITEM NAME	PART NUMBER	QUANTITY
RING-O (Ref # 1)	92055-3013	1
O-RING (Ref # 2)	92055-3014	1
PIN DOWEL 8X12 (Ref # 3)	551A0812	1
BOLT-FLANGED (Ref # 4)	131P0855	1
BOLT,FLANGED,6X20 (Ref # 5)	130B0620	1
PUMP-OIL (Ref # 6)	49042-3015	1
PUMP-WATER (Ref # 7)	49044-3004	1
GASKET-WAT PUMP-COVER (Ref # 8)	11009-3038	1
GASKET-WAT PUMP-PLATE (Ref # 9)	11009-3039	1
WASHER (Ref # 10)	92022-3032	1
LEVER-CONTROL (Ref # 11)	13168-3005	1
SPRING-LEVER RETURN (Ref # 12)	92081-3013	1
WASHER (Ref # 13)	92022-3033	1
BOLT (Ref # 14)	92001-3028	1
SCREW PAN HEAD 4X8 (Ref # 15)	220B0408	1
WASHER SPRING 4MM (Ref # 16)	461F0400	1
WASHER SPRING 6MM (Ref # 17)	461F0600	1
SCREW PAN HEAD 6X16 (Ref # 18)	220B0616	1
NUT 6MM (Ref # 19)	311B0600	1
BOLT SMALL (Ref # 20)	114G0812	1
BOLT,FLANGED,6X30 (Ref # 21)	130G0630	1
WASHER PLAIN 6MM (Ref # 22)	411B0600	1
PIN-SPRING (Ref # 23)	49035-3002	1
RING-O,OIL PUMP (Ref # 24)	92055-3015	1