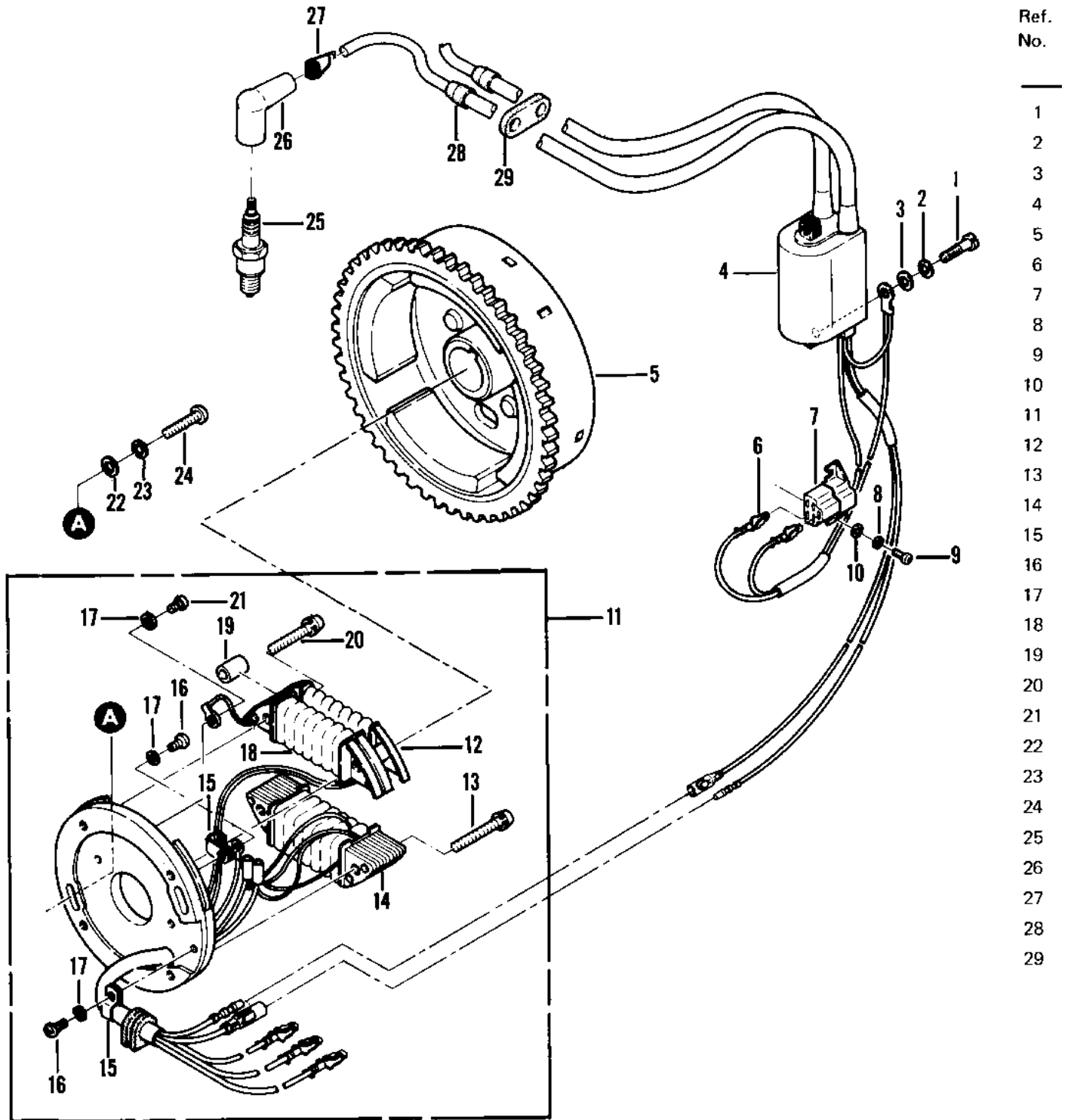


1981 Drifter 340 PARTS DIAGRAM

MAGNETO

Magnet



1981 Drifter 340 PARTS LIST

MAGNETO

| ITEM NAME | PART NUMBER | QUANTITY |
|----------------------------------|-------------|----------|
| SCREW, 6X25MM (Ref # 1) | 220B0625 | 1 |
| WASHER, SPRING, 6MM (Ref # 2) | 461F0600 | 1 |
| WASHER, PLAIN, 6MM (Ref # 3) | 410B0600 | 1 |
| IGNITER (Ref # 4) | 21119-3024 | 1 |
| FLYWHEEL (Ref # 5) | 21050-3012 | 1 |
| TERMINAL-ENG CONNECTR (Ref # 6) | 21169-3001 | 1 |
| CONNECTOR-HARNESS (Ref # 7) | 59221-3001 | 1 |
| WASHER, SPRING, 4MM (Ref # 8) | 461F0400 | 2 |
| SCREW, 4X10MM (Ref # 9) | 220B0410A | 1 |
| WASHER (Ref # 10) | 92022-558 | 1 |
| STATOR ASSY (Ref # 11) | 21003-3007 | 1 |
| .COIL-PULSING (Ref # 12) | 59026-3003 | 1 |
| .SCREW 5X34 (Ref # 13) | 92011-532 | 1 |
| .COIL-LIGHTING (Ref # 14) | 21047-3003 | 1 |
| .CLAMP-STATOR WIRE (Ref # 15) | 92037-518 | 1 |
| SCREW, PAN HEAD, 5X34 (Ref # 16) | 220B0408A | 1 |
| .COIL-EXCITING (Ref # 18) | 21049-3002 | 1 |
| .COLLAR-COIL (Ref # 19) | 92027-3008 | 1 |
| .SCREW (Ref # 20) | 92009-3006 | 1 |
| .SCREW, PAN HEAD, 4X8 (Ref # 21) | 220B0406A | 1 |
| .WASHER (Ref # 22) | 92022-544 | 1 |
| WASHER, PRING 5MM (Ref # 23) | 461F0500 | 1 |
| SCREW, PAN HEAD, 5X20 (Ref # 24) | 220B0520A | 1 |
| SPARK PLUG BZ9EV (Ref # 25) | BZ9EV | 1 |
| CAP-SPARK PLUG (Ref # 26) | 21130-3004 | 1 |
| SPRING-SPARK PLUG CAP (Ref # 27) | 92101-001 | 1 |
| GROMMET (Ref # 28) | 92071-517 | 1 |
| GROMMET (Ref # 29) | 92071-529 | 1 |