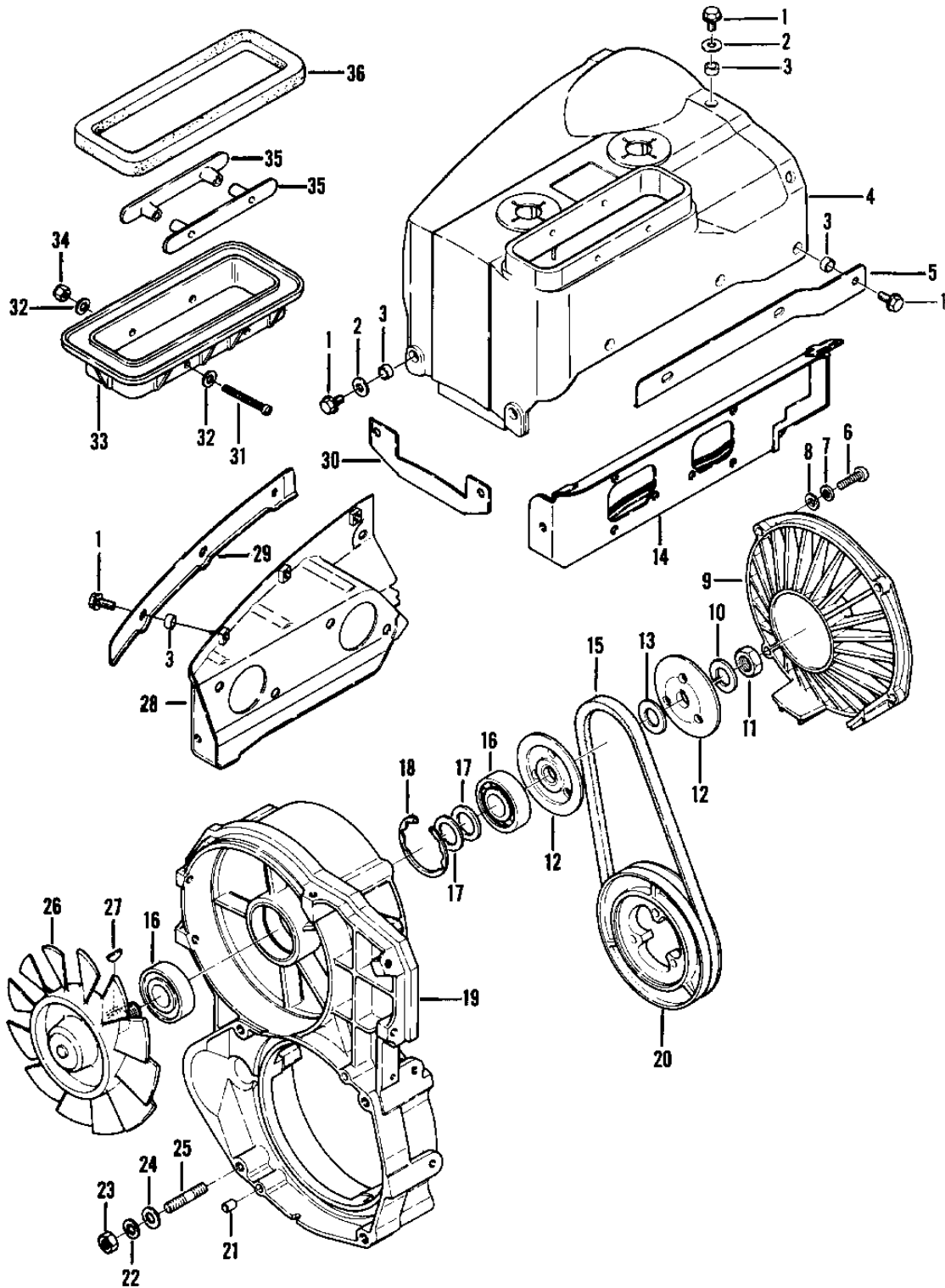


1981 Drifter 340 PARTS DIAGRAM

FAN COOLING SYSTEM

Fan Cooling



Ref.
No.

- 1
- 2
- 3
- 4
- 5
- 6
- 7
- 8
- 9
- 10
- 11
- 12
- 13
- 14
- 15
- 16
- 17
- 18
- 19
- 20
- 21
- 22
- 23
- 24
- 25
- 26
- 27
- 28
- 29
- 30
- 31
- 32
- 33
- 34
- 35
- 36

1981 Drifter 340 PARTS LIST

FAN COOLING SYSTEM

ITEM NAME	PART NUMBER	QUANTITY
BOLT, FLANGED, 6X14MM (Ref # 1)	130B0614	1
WASHER,IGNITER (Ref # 2)	92022-3013	1
COLLAR-MAIN SHROUD (Ref # 3)	92027-3011	1
SHROUD-ENG MAIN-RUBBR (Ref # 4)	49089-3022	1
PLATE-INTAKE SHROUD (Ref # 5)	13169-3010-YP	1
SCREW, PAN HEAD, 6X22MM (Ref # 6)	220B0622	1
WASHER, SPRING, 6MM (Ref # 7)	461F0600	1
WASHER, PLAIN, 6MM (Ref # 8)	410B0600	1
SCREEN-FAN (Ref # 9)	14037-3001	1
WASHER SPRING 14MM (Ref # 10)	461F1400	1
NUT 14MM (Ref # 11)	315B1400	1
PULLEY-FAN (Ref # 12)	59091-3001	1
SHIM-0.06T (Ref # 13)	92025-501	1
SHROUD-ENGINE-INTAKE (Ref # 14)	49089-3026-9H	1
BELT-FAN (Ref # 15)	59011-3001	1
BEARING-BALL (Ref # 16)	92045-3001	1
SHIM-1.0T (Ref # 17)	92025-529	1
RING-SNAP (Ref # 18)	92033-3001	1
HOUSING-FAN (Ref # 19)	59066-3009	1
PULLY-FAN DRIVE (Ref # 20)	49079-3002	1
PIN,DOWEL,6X12 (Ref # 21)	551A0612	1
WASHER, SPRING, 8MM (Ref # 22)	461F0800	1
NUT, 8MM (Ref # 23)	311B0800	1
WASHER, PLAIN, 8MM (Ref # 24)	410B0800	1
STUD, 8X25MM (Ref # 25)	172G0825	1
FAN-ASSY-COOLING (Ref # 26)	59041-3003	1
WOODRUFF KEY (Ref # 27)	510A3200	1
SHROUD-ENGINE-EXHAUST (Ref # 28)	49089-3023-9H	1
PLATE-EXHAUST SHROUD (Ref # 29)	13169-3009-YP	1

1981 Drifter 340 PARTS LIST

FAN COOLING SYSTEM

ITEM NAME	PART NUMBER	QUANTITY
PLATE-MAIN ENG SHROUD (Ref # 30)	13169-3011-YP	1
SCREW (Ref # 31)	92009-3567	1
WASHER (Ref # 32)	412EA0600	1
DUCT-ENGINE (Ref # 33)	14073-3520	1
NUT (Ref # 34)	350BA0600	1
WASHER (Ref # 35)	92026-3541	1
SEAL-DUCT (Ref # 36)	92093-3512	1