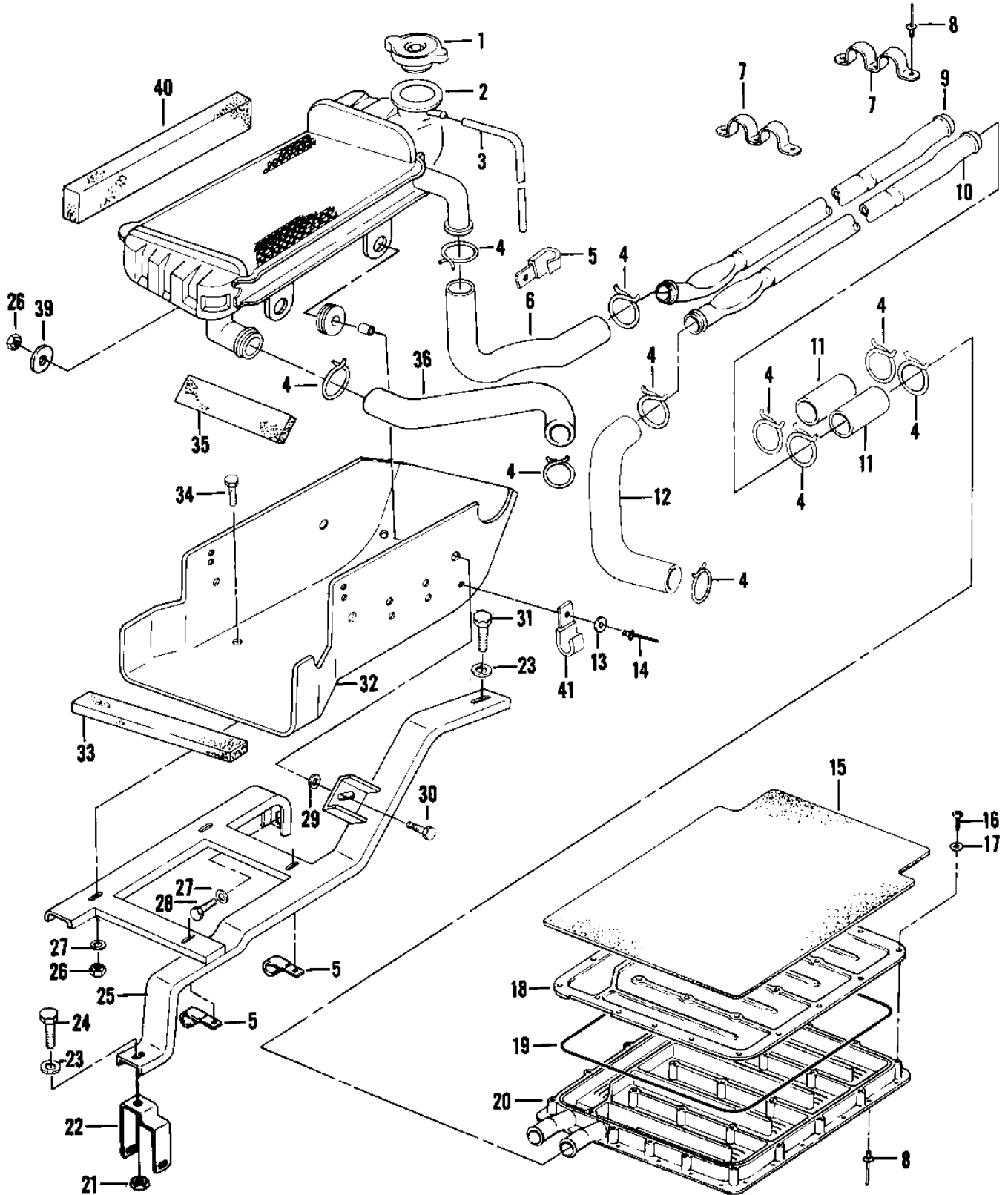


1981 LTD 440 Manual Start PARTS DIAGRAM

CHASSIS COOLANT SYSTEM



1981 LTD 440 Manual Start PARTS LIST

CHASSIS COOLANT SYSTEM

ITEM NAME	PART NUMBER	QUANTITY
CAP-ASSY-PRESSURE (Ref # 1)	49085-3502	1
EXCHANGE-HEAT-RADIATR (Ref # 2)	39060-3505	1
TUBE-24.00X.25ID (Ref # 3)	92059-3509	1
CLAMP-HOSE (Ref # 4)	92037-3503	1
CLAMP-HARNESS-HEAD (Ref # 5)	92037-3511	1
HOSE-COOLING (Ref # 6)	39062-3510	1
CLAMP-COOL PIPE (Ref # 7)	92037-3507	1
RIVET (Ref # 8)	534YW0604	1
PIPE-WATER (Ref # 9)	32032-3562	1
PIPE-WATER (Ref # 10)	32032-3556	1
HOSE-COOLING (Ref # 11)	39062-3506	1
HOSE-COOLING (Ref # 12)	39062-3513	1
WASHER (Ref # 13)	92022-3539	1
RIVET (Ref # 14)	534XX0602	1
PAD-EXCHANGER (Ref # 15)	39156-3558	1
SCREW (Ref # 16)	92009-3566	1
WASHER-SEAL (Ref # 17)	49091-3503	1
COVER-HEAT EXCHANGER (Ref # 18)	14025-3516	1
RING-O (Ref # 19)	92055-3509	1
EXCHANGER-HEAT (Ref # 20)	39060-3506	1
NUT (Ref # 21)	350BA1000	1
BRACKET-RADIATOR (Ref # 22)	11034-3612	1
WASHER (Ref # 23)	412EA1000	1
BOLT (Ref # 24)	119BA1010	1
BRACE-RADIATOR (Ref # 25)	35030-3504	1
NUT (Ref # 26)	350BA0800	1
WASHER (Ref # 27)	412EA0800	2
BOLT (Ref # 28)	92001-3514	1
BOLT (Ref # 30)	119BA0816	1

1981 LTD 440 Manual Start PARTS LIST

CHASSIS COOLANT SYSTEM

ITEM NAME	PART NUMBER	QUANTITY
BOLT (Ref # 31)	92001-3513	1
DUCT-RADIATOR (Ref # 32)	39045-3502	1
PAD-RADIATOR DUCT (Ref # 33)	39156-3534	1
BOLT (Ref # 34)	119BA0810	1
PAD-RADIATOR (Ref # 35)	39156-3540	1
HOSE-COOLING (Ref # 36)	39062-3512	1
BUSHING-BRAKE (Ref # 37)	92028-3501	1
GROMMET (Ref # 38)	92071-3503	1
WASHER (Ref # 39)	92022-3516	1
PAD-RADIATOR (Ref # 40)	39156-3539	1
CLAMP-HARNESS-HEAD (Ref # 41)	92037-3517	1