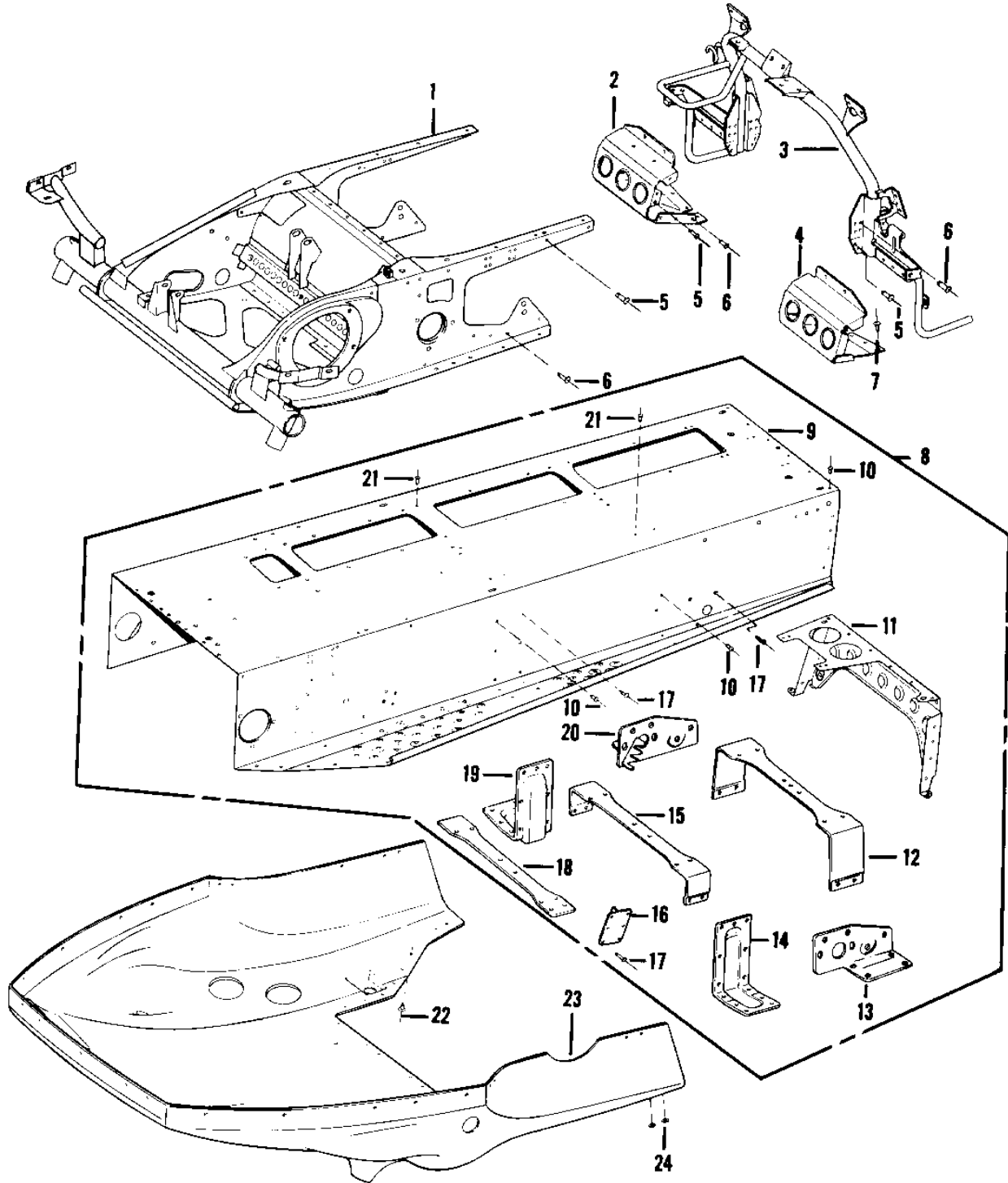


## 1980 Invader LTD 4/6 PARTS DIAGRAM

CHASSIS 3 OF 3



SS440-B1

## 1980 Invader LTD 4/6 PARTS LIST

CHASSIS 3 OF 3

ITEM NAME	PART NUMBER	QUANTITY
FRAME-COMP (Ref # 1)	32002-3506	1
FOOTREST-RH (Ref # 2)	39048-3505	1
MOUNT-ASSY-UPPER STRG (Ref # 3)	39084-3507	1
FOOTREST-LH (Ref # 4)	39048-3502	1
RIVET (Ref # 5)	534YY0602	2
RIVET (Ref # 6)	534YY0604	2
RIVET (Ref # 7)	534XX0606	1
TUNNEL (Ref # 8)	39149-3510	2
.BULKHEAD-REAR (Ref # 11)	39026-3501	1
.REINFORCE-TUNNEL-REAR (Ref # 12)	35034-3510	1
.BRACKET-COMP-SUSP LH (Ref # 13)	39020-3512	1
.BRACKET-CHASSIS-LH (Ref # 14)	11034-3551	1
.REINFORCE-TUNNEL-FRNT (Ref # 15)	35034-3505	1
.BRACKET-SPRING-MOUNT (Ref # 16)	39016-3505	1
.REINFORCE-FRONT SUSP (Ref # 18)	35034-3514	1
.BRACKET-CHASSIS-RH (Ref # 19)	11034-3550	1
.BRACKET-COMP-SUSP RH (Ref # 20)	39020-3511	1
.RIVET (Ref # 21)	534YW0602	1
RIVET (Ref # 22)	535XX0606	1
PAN-LOWER-NO EXH HOLE (Ref # 23)	39088-3513	2
WASHER (Ref # 24)	92022-3539	1