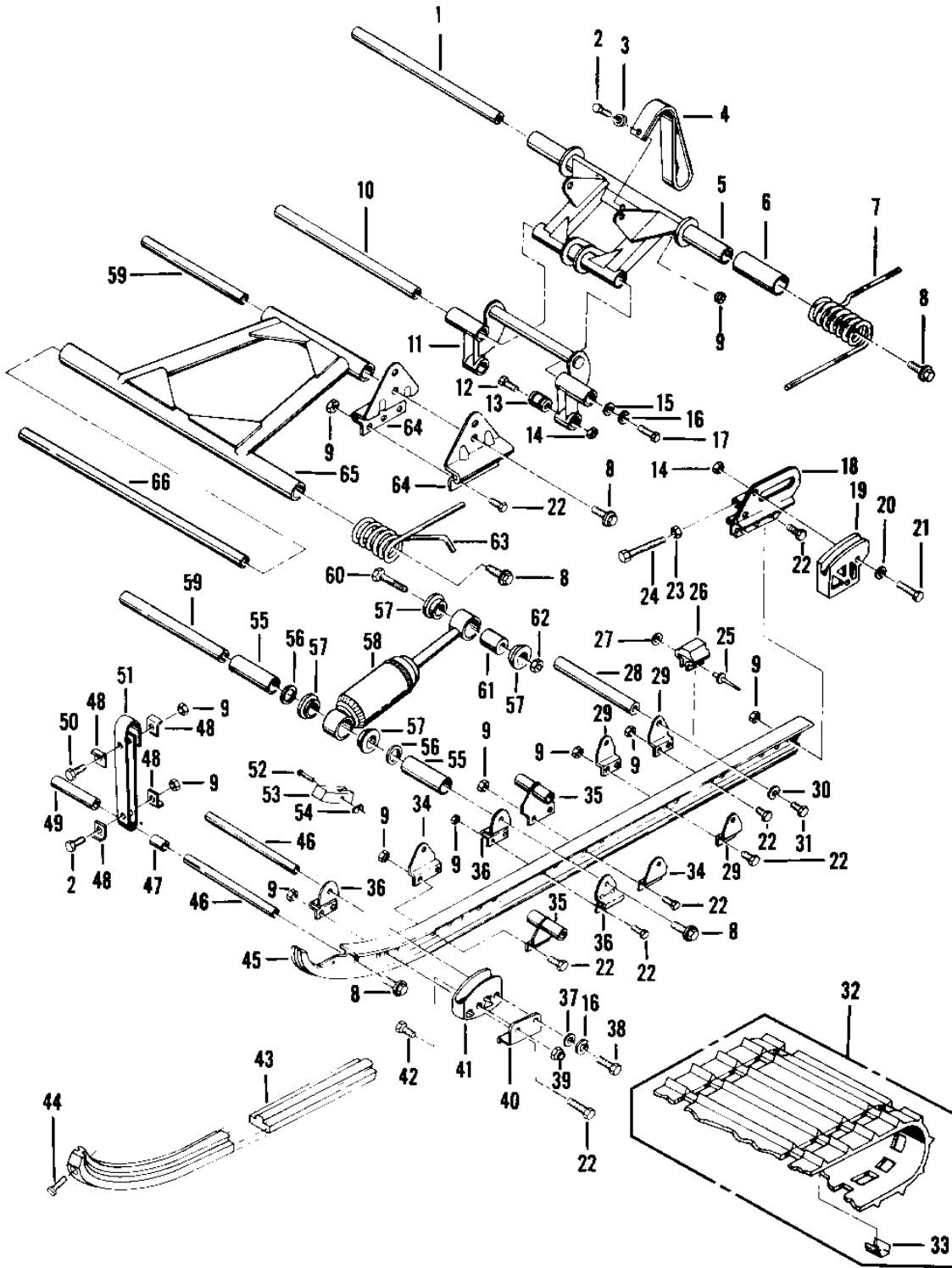


1980 Invader LTD 4/6 PARTS DIAGRAM

SUSPENSION 1 OF 2



SS440-B1

1980 Invader LTD 4/6 PARTS LIST

SUSPENSION 1 OF 2

ITEM NAME	PART NUMBER	QUANTITY
SHAFT-PIVOT (Ref # 1)	39116-3503	1
BOLT (Ref # 2)	119BA0816	1
WASHER (Ref # 3)	413EA0800	1
LIMITER-REAR STRAP (Ref # 4)	39076-3504	1
PIVOT-COMP-SUSPENSION (Ref # 5)	39102-3502	1
SLEEVE-SHAFT (Ref # 6)	42036-3511	1
SPRING-REAR RH (Ref # 7)	92081-3550	1
SPRING-REAR LH (Ref # 7)	92081-3551	1
BOLT (Ref # 8)	92001-3508	1
NUT (Ref # 9)	350BA0800	1
SHAFT-IDLER (Ref # 10)	39115-3504	1
ARM-COMP-SUSP (Ref # 11)	39002-3504	1
BOLT (Ref # 12)	119BA1032	1
SLEEVE-ARM (Ref # 13)	42036-3510	1
NUT (Ref # 14)	350BA1000	1
WASHER (Ref # 15)	92022-3537	1
WASHER (Ref # 16)	465FA1200	1
BOLT (Ref # 17)	118BA1216	1
BRACKET-COMP-AXLE LH (Ref # 18)	39172-3504	1
BRACKET-COMP-AXLE RH (Ref # 18)	39172-3505	1
CAM-REAR SUSP (Ref # 19)	49060-3504	1
WASHER (Ref # 20)	412EA1000	1
BOLT (Ref # 21)	119BA1028	1
BOLT, 1/4-28 X .75 (Ref # 22)	119BA0812	1
NUT (Ref # 23)	343BA1200	1
BOLT (Ref # 24)	92001-3527	1
RIVET (Ref # 25)	92039-3521	1
BUMPER-SKI (Ref # 26)	59201-3501	1
WASHER (Ref # 27)	92022-3536	1

1980 Invader LTD 4/6 PARTS LIST

SUSPENSION 1 OF 2

ITEM NAME	PART NUMBER	QUANTITY
SHAFT-LIMITER (Ref # 28)	13107-3509	1
BRACKET-REAR SUSP (Ref # 29)	39019-3510	1
WASHER (Ref # 30)	465FA1000	1
BOLT (Ref # 31)	118BA1016	1
TRACK (Ref # 32)	39125-3512	1
.CLIP-TRACK (Ref # 33)	49048-3503	1
BRACKET-ARM ASSY (Ref # 34)	11034-3605	1
BRACKET-ARM ASSY (Ref # 35)	23062-3521	1
BRACKET-IDLER SHAFT (Ref # 36)	11034-3586	1
WASHER (Ref # 37)	413EA1200	1
BOLT (Ref # 38)	118BA1236	1
NUT (Ref # 39)	350BA1200	1
BRACKET-FRONT CAM (Ref # 40)	11034-3598	1
CAM-FRONT SUSP (Ref # 41)	49060-3506	1
BOLT (Ref # 42)	119BA1224	1
STRIP-RAIL-WEAR (Ref # 43)	39139-3506	1
SCREW (Ref # 44)	92009-3531	1
RAIL-SUSPENSION LH (Ref # 45)	39105-3511	1
RAIL-SUSPENSION RH (Ref # 45)	39105-3510	1
BRACE-SUSP RAIL (Ref # 46)	35009-3503	1
SPACER (Ref # 47)	92026-3524	1
WASHER (Ref # 48)	92022-3535	1
SPACER (Ref # 49)	92026-3525	1
BOLT (Ref # 50)	119BA0818	1
LIMITER-FRONT STRAP (Ref # 51)	39076-3505	1
PIN-RETAINER (Ref # 52)	92043-3513	1
BUMPER-STOP (Ref # 53)	59201-3505	1
RETAINER-HOOD VENT (Ref # 54)	14020-3518	1
SPACER-12"-CUT TO FIT (Ref # 55)	92026-3576	1

1980 Invader LTD 4/6 PARTS LIST

SUSPENSION 1 OF 2

ITEM NAME	PART NUMBER	QUANTITY
WASHER (Ref # 56)	92022-3508	1
BUSHING-SHOCK (Ref # 57)	92028-3514	1
SHOCK ABSORBER-SUSP (Ref # 58)	45014-3506	1
SHAFT-PIVOT (Ref # 59)	39116-3501	1
BOLT (Ref # 60)	118BA1228	1
SLEEVE-SHOCK (Ref # 61)	42036-3512	1
NUT (Ref # 62)	92015-3527	1
SPRING-FRONT LH (Ref # 63)	92081-3536	1
SPRING-FRONT RH (Ref # 63)	92081-3546	1
BRACKET-FRONT SUSP (Ref # 64)	39017-3502	1
KIT-SWING ARM (Ref # 65)	99970-3551	1
SHAFT-PIVOT (Ref # 66)	39116-3502	1