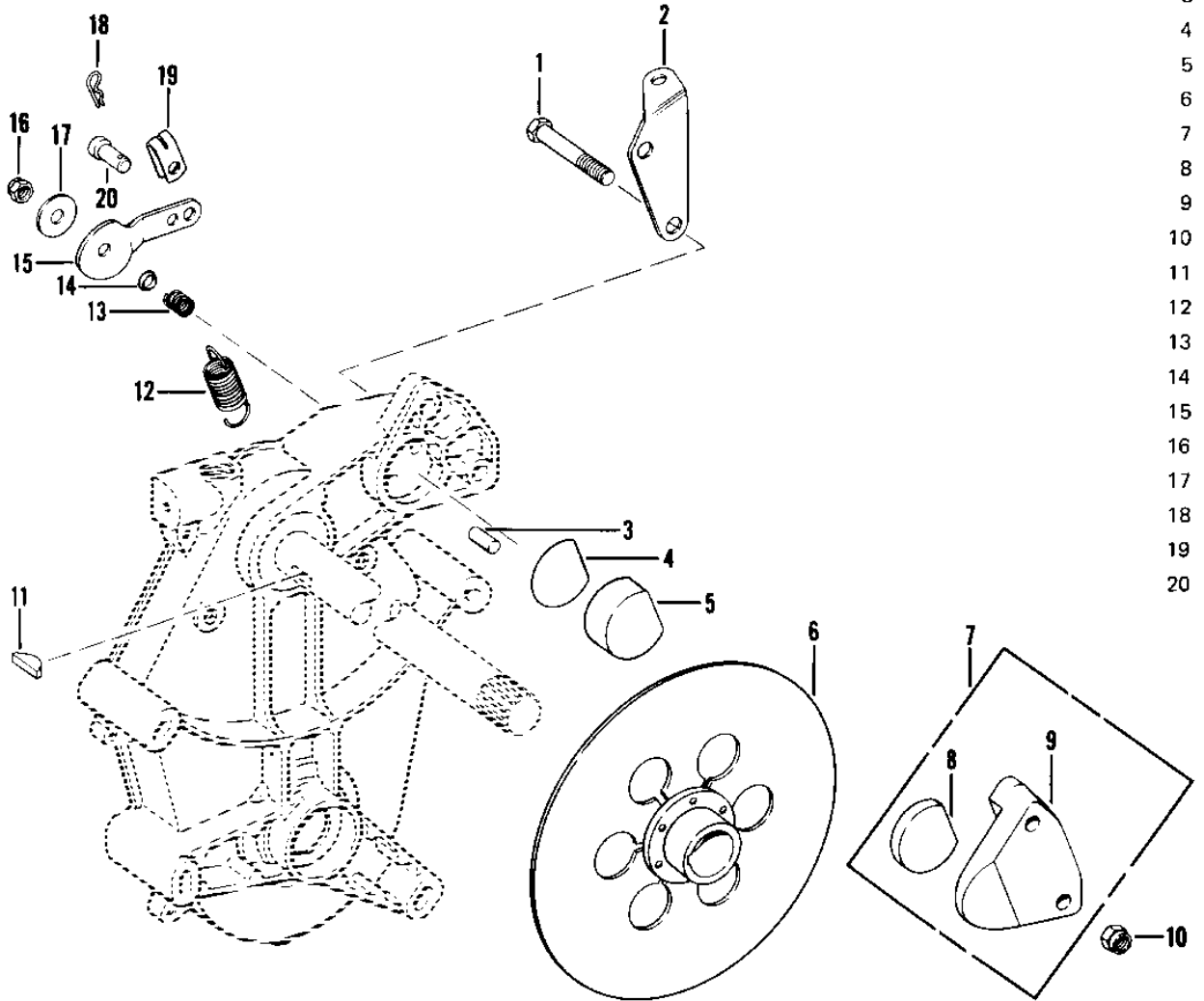


## 1980 Invader LTD 4/6 PARTS DIAGRAM

BRAKE



Ref.  
No.

- 1
- 2
- 3
- 4
- 5
- 6
- 7
- 8
- 9
- 10
- 11
- 12
- 13
- 14
- 15
- 16
- 17
- 18
- 19
- 20

SS440-B1

## 1980 Invader LTD 4/6 PARTS LIST

### BRAKE

ITEM NAME	PART NUMBER	QUANTITY
BOLT (Ref # 1)	119BA1240	1
BRACKET-BRAKE CABLE (Ref # 2)	11034-3501	1
PIN (Ref # 3)	92043-3501	1
PLATE-BACKUP (Ref # 4)	13169-3502	1
PAD-BRAKE 1/2 (Ref # 5)	43050-3505	1
BRAKE-ASSY-DISC (Ref # 6)	39044-3502	1
CALIPER-ASSY (Ref # 7)	43041-3502	1
.PAD-BRAKE 5/16 (Ref # 8)	43050-3504	1
.CALIPER-BRAKE (Ref # 9)	43042-3501	1
NUT (Ref # 10)	350BA1200	1
KEY-WOODRUFF (Ref # 11)	92038-3502	1
SPRING-RETURN (Ref # 12)	92081-3501	1
SPRING-BRAKE CAM (Ref # 13)	92081-3511	1
GUIDE-SPRING (Ref # 14)	13070-3501	1
CAM-BRAKE (Ref # 15)	41050-3502	1
NUT (Ref # 16)	92015-3523	1
WASHER (Ref # 17)	92022-3504	1
PIN-HAIR (Ref # 18)	39092-3501	1
RETAINER-CLEVIS (Ref # 19)	14020-3515	1
PIN (Ref # 20)	92043-3512	1