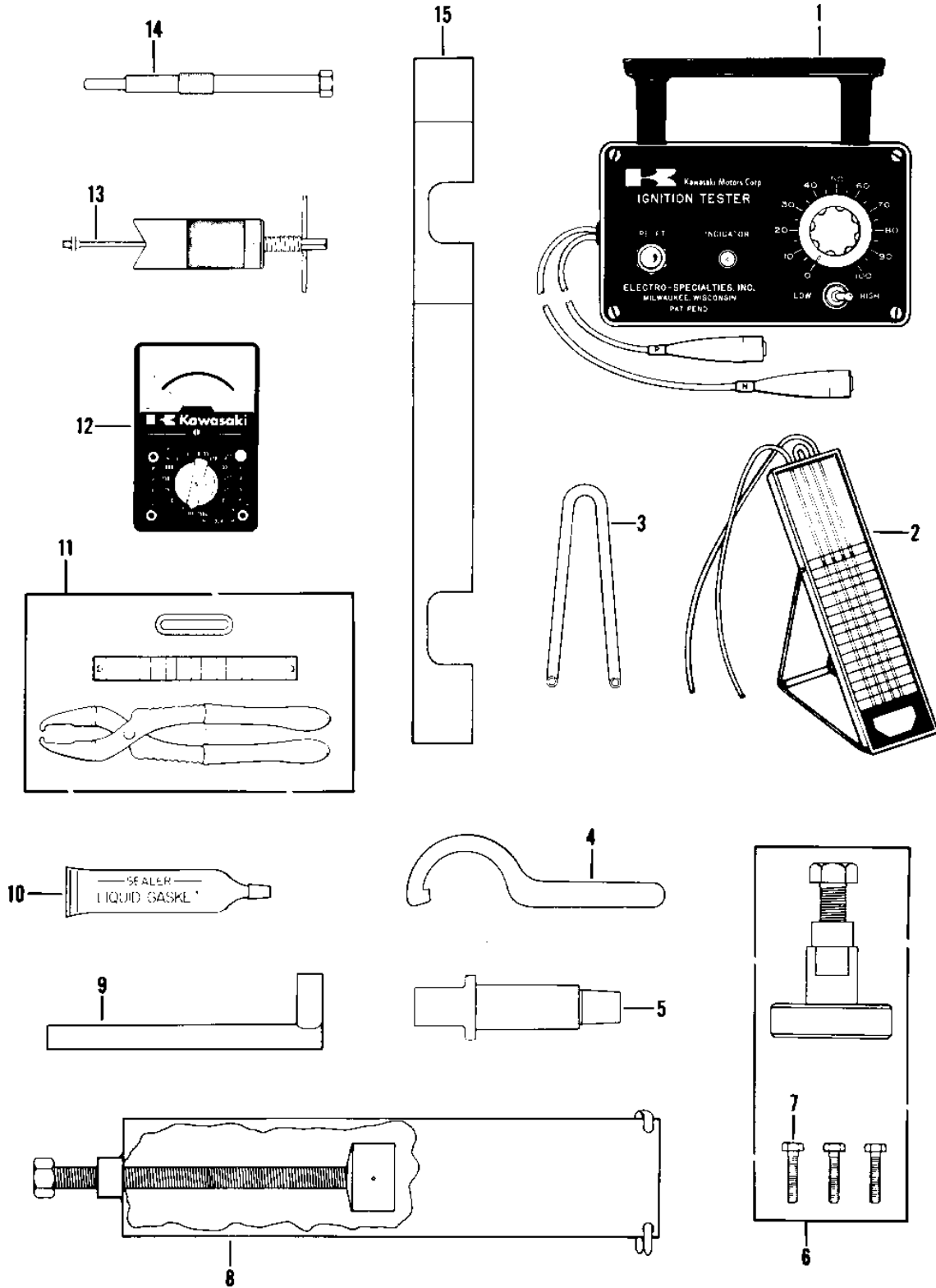


## 1980 Invader 340 PARTS DIAGRAM

### SPECIAL TOOLS



Ref.  
No.

- 1
- 2
- \*
- 3
- 4
- 5
- 6
- 7
- 8
- 9
- 10
- 11
- 12
- 13
- 14
- 15

\*Inc

## 1980 Invader 340 PARTS LIST

### SPECIAL TOOLS

ITEM NAME	PART NUMBER	QUANTITY
*** N.L.A.*** (Canada) (Ref # 1)	T56019-201	1
FOR SYNCHRONIZATION OF TWIN CAT5601 (Ref # 2)	57001-3510	1
.T56019-032B (Canada) (Ref # 2)	T56019-032	1
*** N.L.A.*** (Canada) (Ref # 4)	57001-3501	1
TOOL-CENTERING PILOT (Ref # 5)	57001-3508	1
*** N.L.A.*** (Canada) (Ref # 6)	57001-3509	1
.BOLT (Ref # 7)	110P0620	1
*** N.L.A.*** (Canada) (Ref # 8)	57001-3504	1
TOOL-SPRING ADJUST (Ref # 9)	57001-3507	1
LIQUID GASKET (Ref # 10)	92104-002	1
UNAVAILABLE IN PRICE BOOK (Ref # 11)	T57001 130	1
UNAVAILABLE IN PRICE BOOK (Ref # 12)	57001 983	1
UNAVAILABLE IN PRICE BOOK (Ref # 13)	T57001 910	1
UNAVAILABLE IN PRICE BOOK (Ref # 14)	57001 3502	1
*** N.L.A.*** (Canada) (Ref # 15)	57001-3503	1