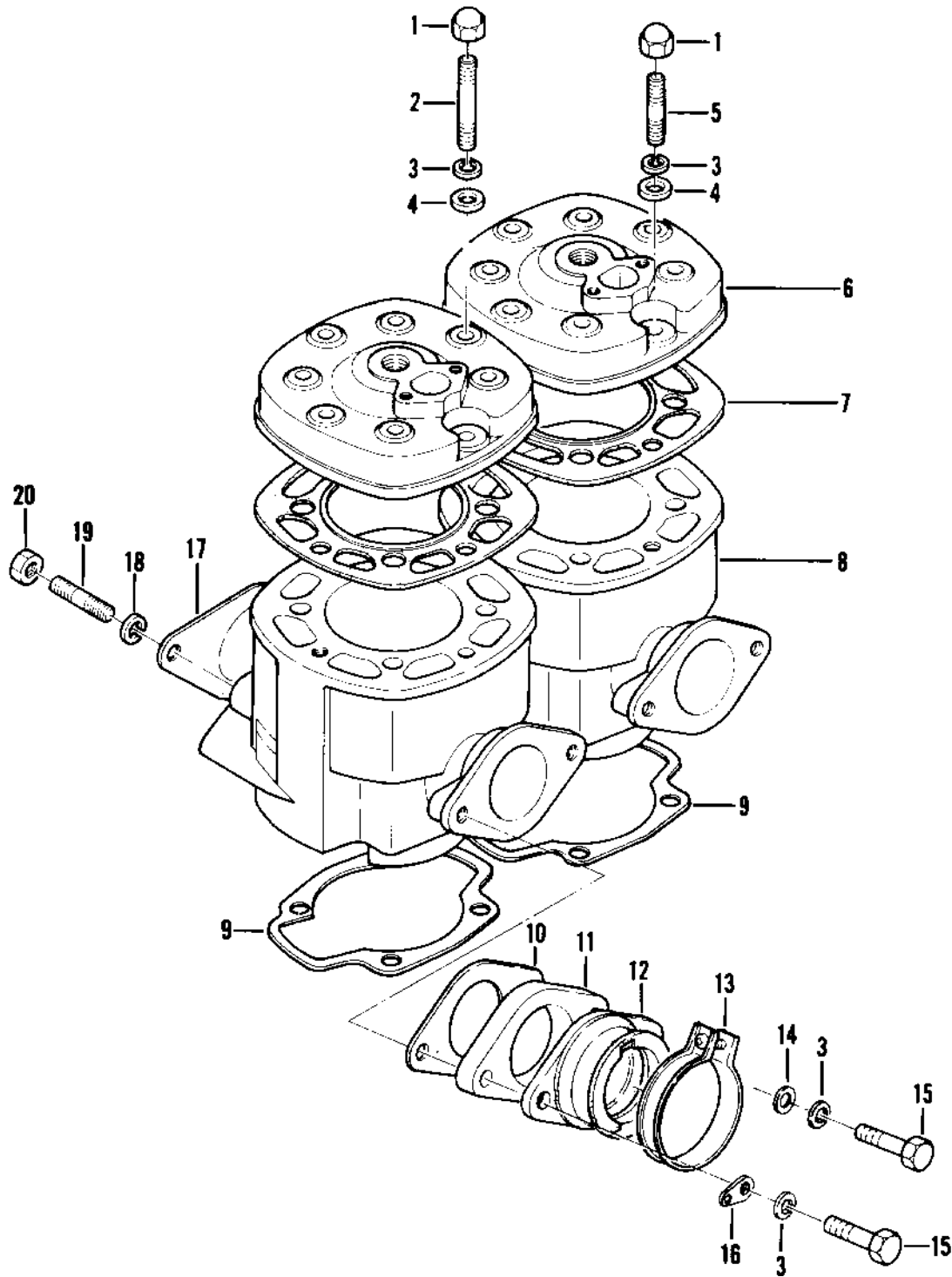


## 1980 Invader 340 PARTS DIAGRAM

CYLINDER HEAD & CYLINDER (SS340-A3, SS44)



Ref  
No

1  
2  
3  
4  
5  
6  
7  
8  
9  
10  
11  
12  
13  
14  
15  
16  
17  
18  
19  
20

## 1980 Invader 340 PARTS LIST

CYLINDER HEAD & CYLINDER (SS340-A3, SS44)

ITEM NAME	PART NUMBER	QUANTITY
NUT-CAP,8MM (Ref # 1)	92015-3003	1
STUD,8X42 (Ref # 2)	92004-3009	1
WASHER SPRING 8MM (Ref # 3)	461F0800	1
WASHER (Ref # 4)	92022-503	1
STUD (Ref # 5)	172H0828	1
HEAD-CYLINDER (Ref # 6)	11001-3011	1
GASKET-HEAD (Ref # 7)	11004-3006	1
CYLINDER-ENGINE (Ref # 8)	11005-3011	1
GASKET-CYLINDER (Ref # 9)	11009-507	1
GASKET-INLET (Ref # 10)	16062-506	1
INSULATOR-CARB HOLDER (Ref # 11)	16073-3001	1
HOLDER-CARBURETOR (Ref # 12)	16065-3011	1
CLAMP-CARB HOLDER (Ref # 13)	92037-3013	1
WASHER PLAIN 8MM (Ref # 14)	410B0800	1
BOLT-SMALL-UPSET (Ref # 15)	115G0845	1
WASHER (Ref # 16)	92022-3007	1
GASKET-EXHAUST (Ref # 17)	11009-3022	1
WASHER SPRING 8MM (Ref # 18)	461S0800	1
STUD (Ref # 19)	92004-3004	1
NUT 8MM (Ref # 20)	311R0800	1