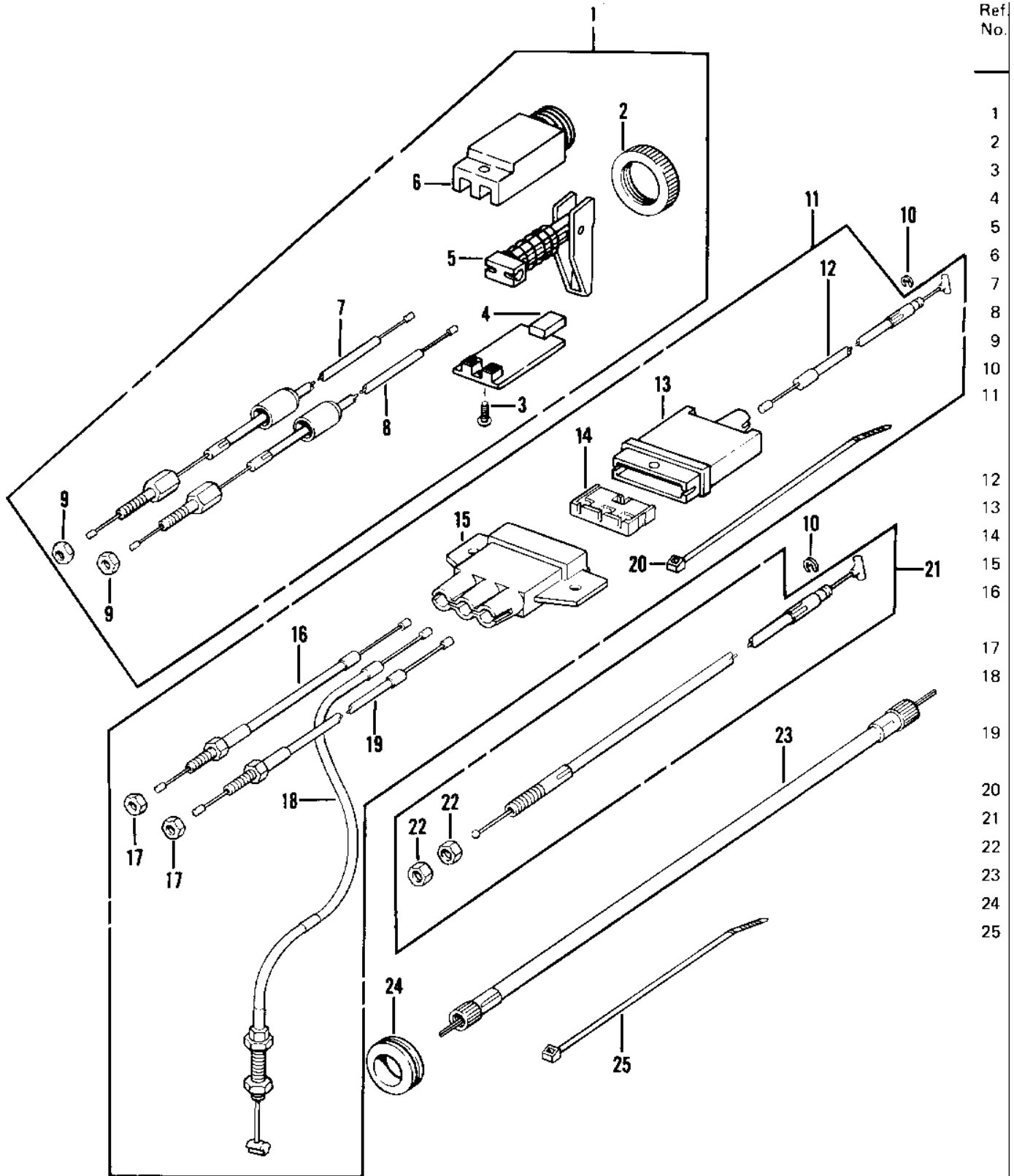


## 1980 Invader 340 PARTS DIAGRAM

CABLES



Ref. No.
1
2
3
4
5
6
7
8
9
10
11
12
13
14
15
16
17
18
19
20
21
22
23
24
25

## 1980 Invader 340 PARTS LIST

### CABLES

ITEM NAME	PART NUMBER	QUANTITY
CABLE-ASSY-PRIMING (Ref # 1)	39030-3501	1
NUT (Ref # 2)	92015-3508	1
HOUSING-ASSY-PRIMER (Ref # 3)	13227-3540	4
CABLE-PRIMING (Ref # 7)	39030-3503	1
CABLE-PRIMING (Ref # 8)	39030-3502	1
NUT (Ref # 9)	92015-3512	2
RING-SNAP (Ref # 10)	92033-3502	1
CABLE-ASSY-THROTTLE (Ref # 11)	54012-3526	1
CABLE-THROTTLE (Ref # 12)	54012-3512	1
HOUSING-ASSY-CABLE (Ref # 13)	13227-3541	3
CABLE-THROTTLE (Ref # 16)	54012-3517	1
CABLE-THROTTLE (Ref # 18)	54012-3508	1
CABLE-THROTTLE (Ref # 19)	54012-3518	1
BAND (Ref # 20)	92072-3509	1
CABLE-BRAKE (Ref # 21)	54005-3501	1
NUT (Ref # 22)	344BA1000	1
CABLE-SPEEDOMETER (Ref # 23)	54001-3504	1
GROMMET (Ref # 24)	92071-3502	1
BAND (Ref # 25)	92072-3501	1