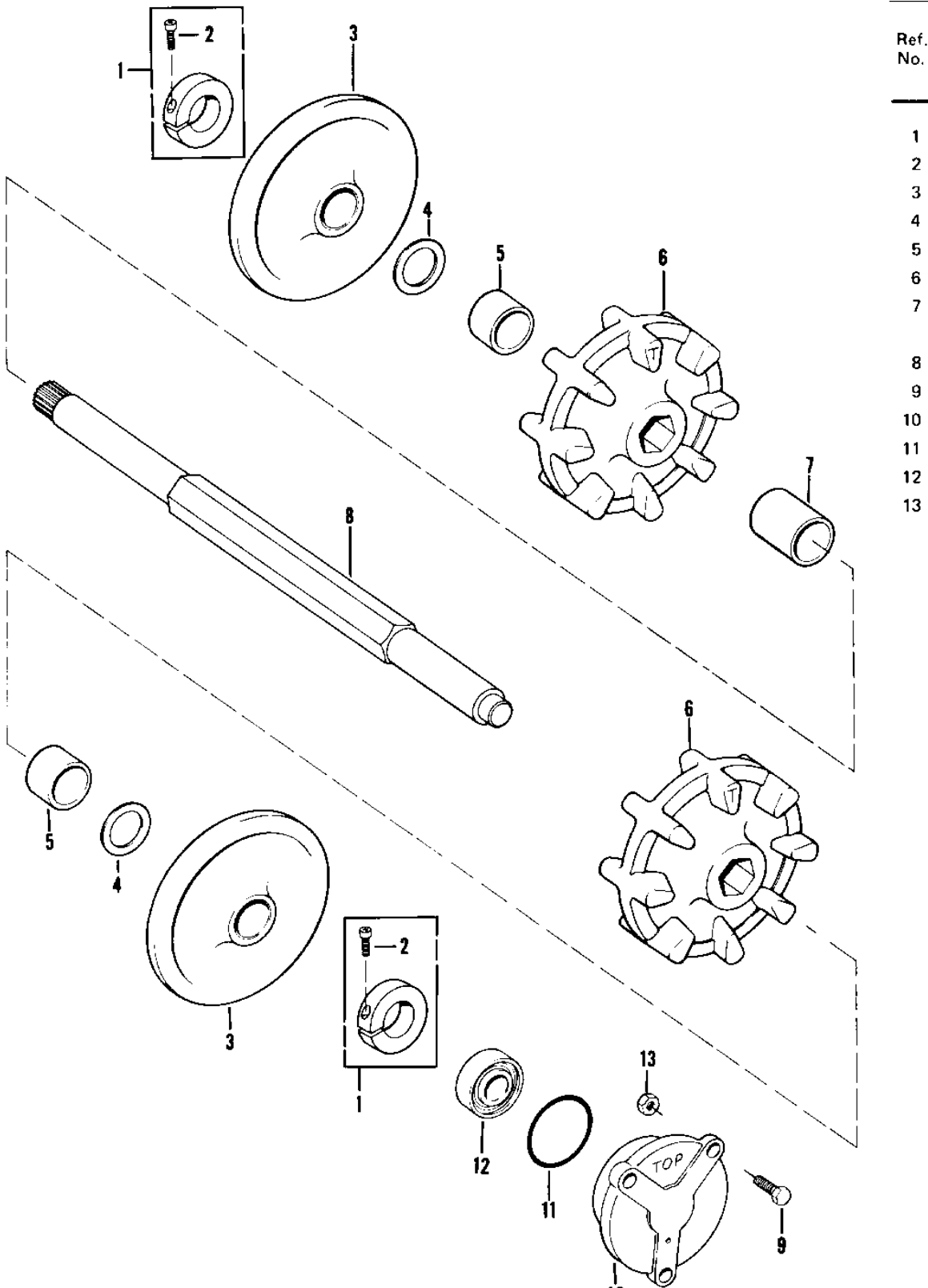


1980 Invader 340 PARTS DIAGRAM

DRIVESHAFT



Ref.
No.

- 1
- 2
- 3
- 4
- 5
- 6
- 7
- 8
- 9
- 10
- 11
- 12
- 13

1980 Invader 340 PARTS LIST

DRIVESHAFT

ITEM NAME	PART NUMBER	QUANTITY
COLLAR-DRIVE SHAFT (Ref # 1)	92027-3504	1
.SCREW (Ref # 2)	92009-3555	1
WHEEL-IDLER-FRONT (Ref # 3)	39153-3505	1
WASHER (Ref # 4)	92022-3501	1
PIPE-SPACER (Ref # 5)	32032-3522	1
SPROCKET-DRV SHFT-8TH (Ref # 6)	12046-3502	1
PIPE-SPACER (Ref # 7)	32032-3521	1
SHAFT-DRIVE (Ref # 8)	39159-3504	1
BOLT (Ref # 9)	119BA1014	1
HOUSING-BEARING (Ref # 10)	41066-3501	1
RING-O (Ref # 11)	92055-3506	1
BEARING-BALL (Ref # 12)	92045-3514	1
NUT (Ref # 13)	350BA1000	1