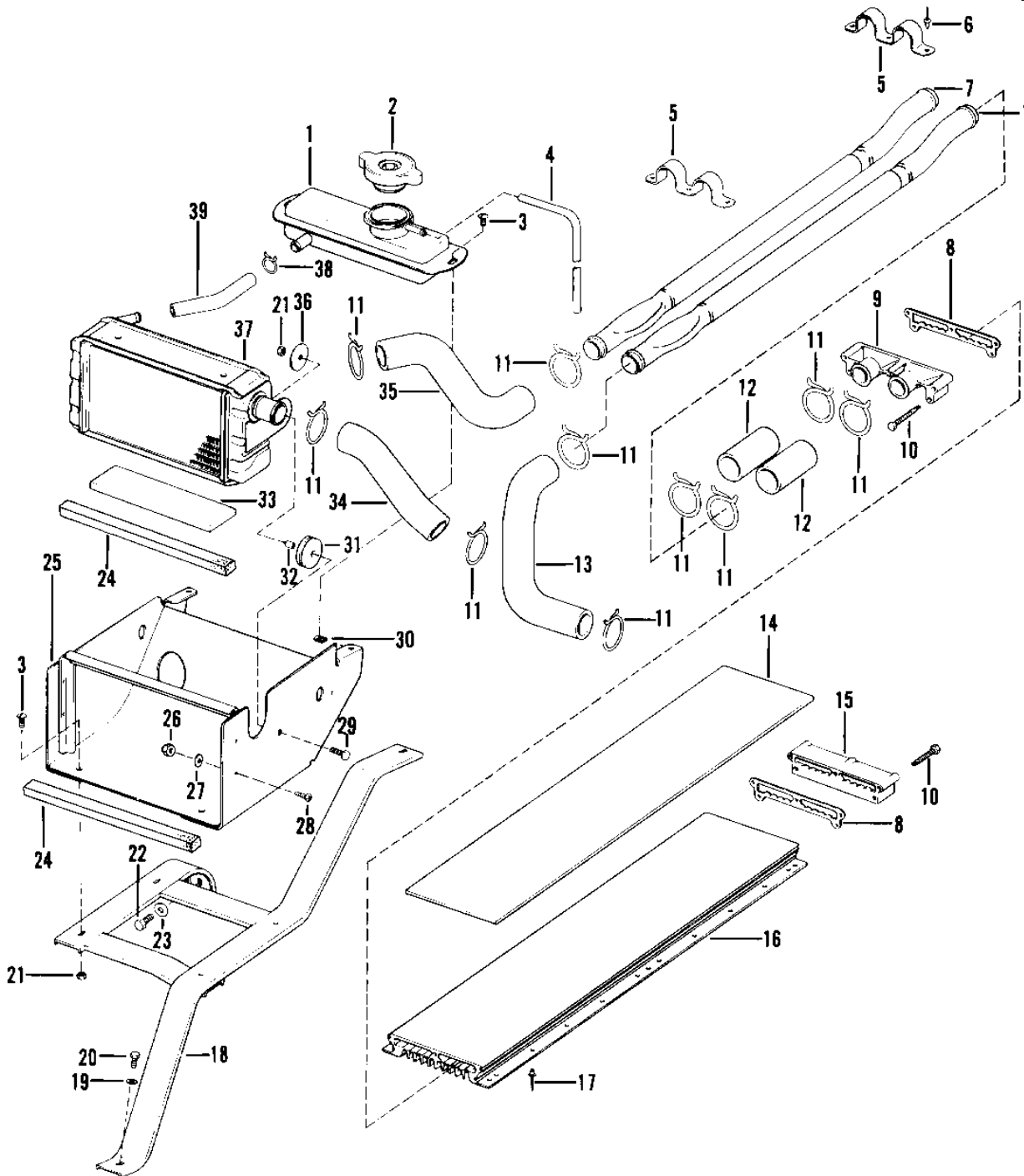


## 1979 Invader 340 PARTS DIAGRAM

CHASSIS COOLANT SYSTEM

### Chassis Coola



Ref.  
No.

- 1
- 2
- 3
- 4
- 5
- 6
- 7
- 8
- 9
- 10
- 11
- 12
- 13
- 14
- 15
- 16
- 17
- 18
- 19
- 20
- 21
- 22
- 23
- 24
- 25
- 26
- 27
- 28
- 29
- 30
- 31
- 32
- 33
- 34
- 35
- 36
- 37
- 38
- 39

## 1979 Invader 340 PARTS LIST

### CHASSIS COOLANT SYSTEM

ITEM NAME	PART NUMBER	QUANTITY
RESERVOIR-COOLING (Ref # 1)	43078-3501	1
CAP-ASSY-PRESSURE (Ref # 2)	49085-3502	1
SCREW (Ref # 3)	250DA0810	1
TUBE-24.00X.25ID (Ref # 4)	92059-3509	1
CLAMP-COOL PIPE (Ref # 5)	92037-3507	1
RIVET (Ref # 6)	92039-3526	1
PIPE-WATER (Ref # 7)	32032-3503	1
GASKET-EXHANGER (Ref # 8)	11009-3501	1
CAP-OPEN END (Ref # 9)	39031-3501	1
SCREW (Ref # 10)	92009-3501	1
CLAMP-HOSE (Ref # 11)	92037-3503	1
HOSE-COOLING (Ref # 12)	39062-3505	1
HOSE-COOLING (Ref # 13)	39062-3503	1
PAD-EXCHANGER (Ref # 14)	39156-3501	1
CAP-CLOSE END (Ref # 15)	39031-3502	1
EXCHANGER-HEAT (Ref # 16)	39060-3501	1
RIVET (Ref # 17)	534YW0604	1
BRACE-RADIATOR DUCT (Ref # 18)	35030-3501	1
WASHER (Ref # 19)	412EA1000	1
BOLT (Ref # 20)	92001-3513	1
NUT (Ref # 21)	351BA0800	1
BOLT (Ref # 22)	92001-3514	1
WASHER (Ref # 23)	412EA0800	1
PAD-EXCHANGE (Ref # 24)	39156-3521	1
DUCT-ASSY (Ref # 25)	39045-3503	1
WASHER (Ref # 26)	351BA0500	1
WASHER (Ref # 27)	412EA0500	1
SCREW (Ref # 28)	244DA0508	1
BOLT (Ref # 29)	118BA0814	1

## 1979 Invader 340 PARTS LIST

### CHASSIS COOLANT SYSTEM

ITEM NAME	PART NUMBER	QUANTITY
RETAINER-TINNERMAN (Ref # 30)	14020-3504	1
GROMMET (Ref # 31)	92071-3503	1
BUSHING-BRAKE (Ref # 32)	92028-3501	1
PAD-OIL TANK (Ref # 33)	39156-3502	1
HOSE-COOLING (Ref # 34)	39062-3504	1
HOSE-COOLING (Ref # 35)	39062-3501	1
WASHER (Ref # 36)	92022-3516	1
EXCHANGE-HEAT-RADIATR (Ref # 37)	39060-3503	1
CLAMP-HOSE (Ref # 38)	92037-3502	1
HOSE-COOLING (Ref # 39)	39062-3502	1