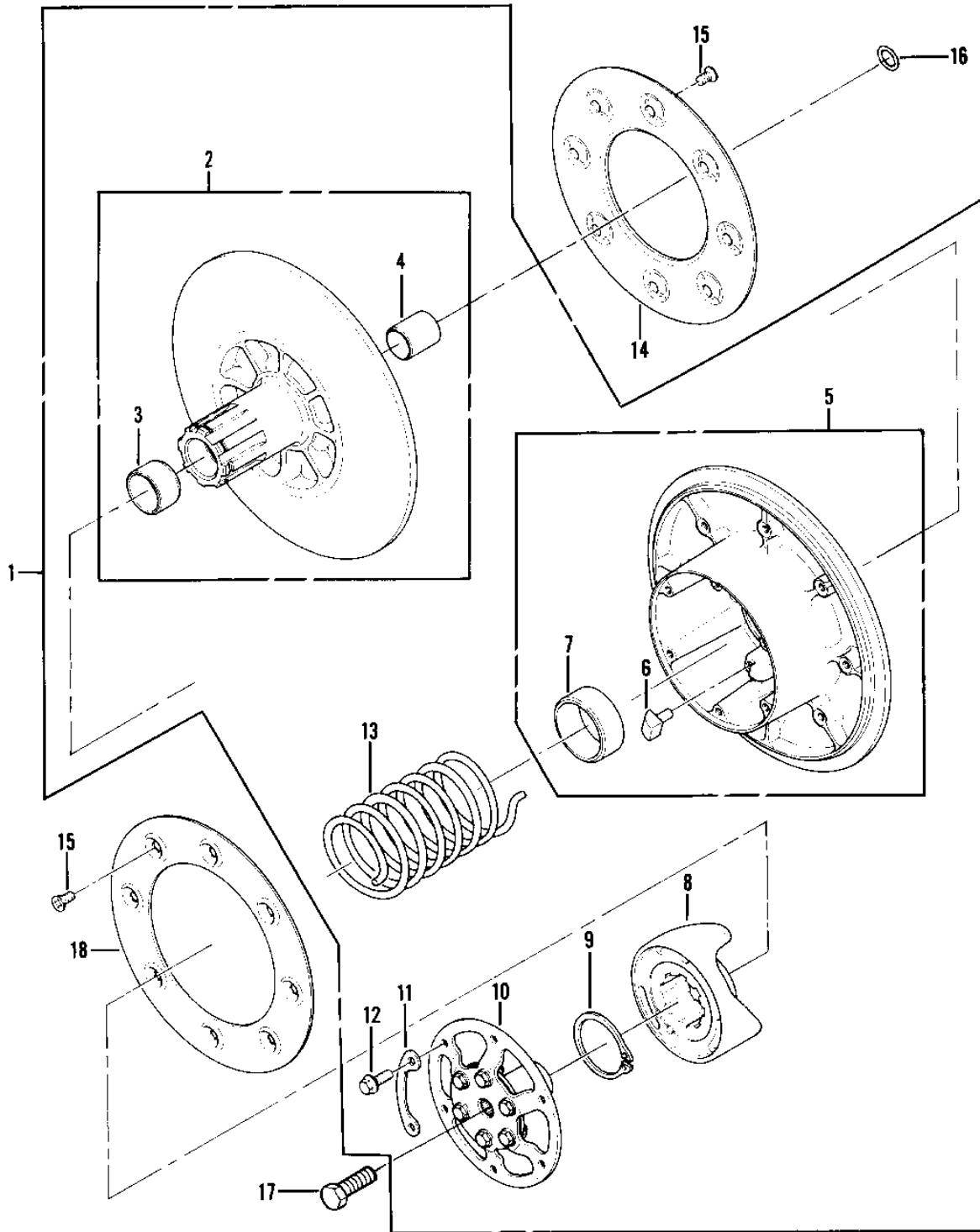


1979 Invader 340 PARTS DIAGRAM

DRIVEN CONVERTER

Driven Con



Ref.
No.

- 1
- 2
- 3
- 4
- 5
- 6
- 7
- 8
- 9
- 10
- 11
- 12
- 13
- 14
- 15
- 16
- 17
- 18

1979 Invader 340 PARTS LIST

DRIVEN CONVERTER

ITEM NAME	PART NUMBER	QUANTITY
CONVERTOR-DRIVEN (Ref # 1)	49094-3003	1
.SHEAVE-MOVABLE-DRIVEN (Ref # 2)	59301-3002	1
..BUSHING-MOVABLE SHEAV (Ref # 3)	92028-3005	1
..BUSHING-MOVABLE SHEAV (Ref # 4)	92028-3010	1
.SHEAVE-FIXED-DRIVEN (Ref # 5)	59296-3004	1
..SHOE-WEAR (Ref # 6)	49048-3002	1
..BUSHING-FIXED SHEAVE (Ref # 7)	92028-3006	1
.RAMP-35 DEGREE (Ref # 8)	49092-3001	1
RAMP-30 DEGREE (Ref # 8)	49092-3002	1
.CIRCLIP,50MM (Ref # 9)	480J5000	1
.COUPLING-FIX SHEAVE (Ref # 10)	42033-3003	1
.BALANCER-T=0.8 (Ref # 11)	13041-3003	1
.BOLT (Ref # 12)	92001-3020	1
.SPRING-BLACK-DRIVEN (Ref # 13)	92081-3003	1
COVER-MOVABLE SHEAVE (Ref # 14)	14025-3012	1
SCREW CNTSNK HD 6X10 (Ref # 15)	221B0610	1
SHIM-0.32T (Ref # 16)	92025-3501	1
SHIM-0.063T (Ref # 16)	92025-3502	1
SHIM-0.1T (Ref # 16)	92025-3503	1
BOLT (Ref # 17)	92001-3519	1
COVER-FIXED SHEAVE (Ref # 18)	14025-3011	1