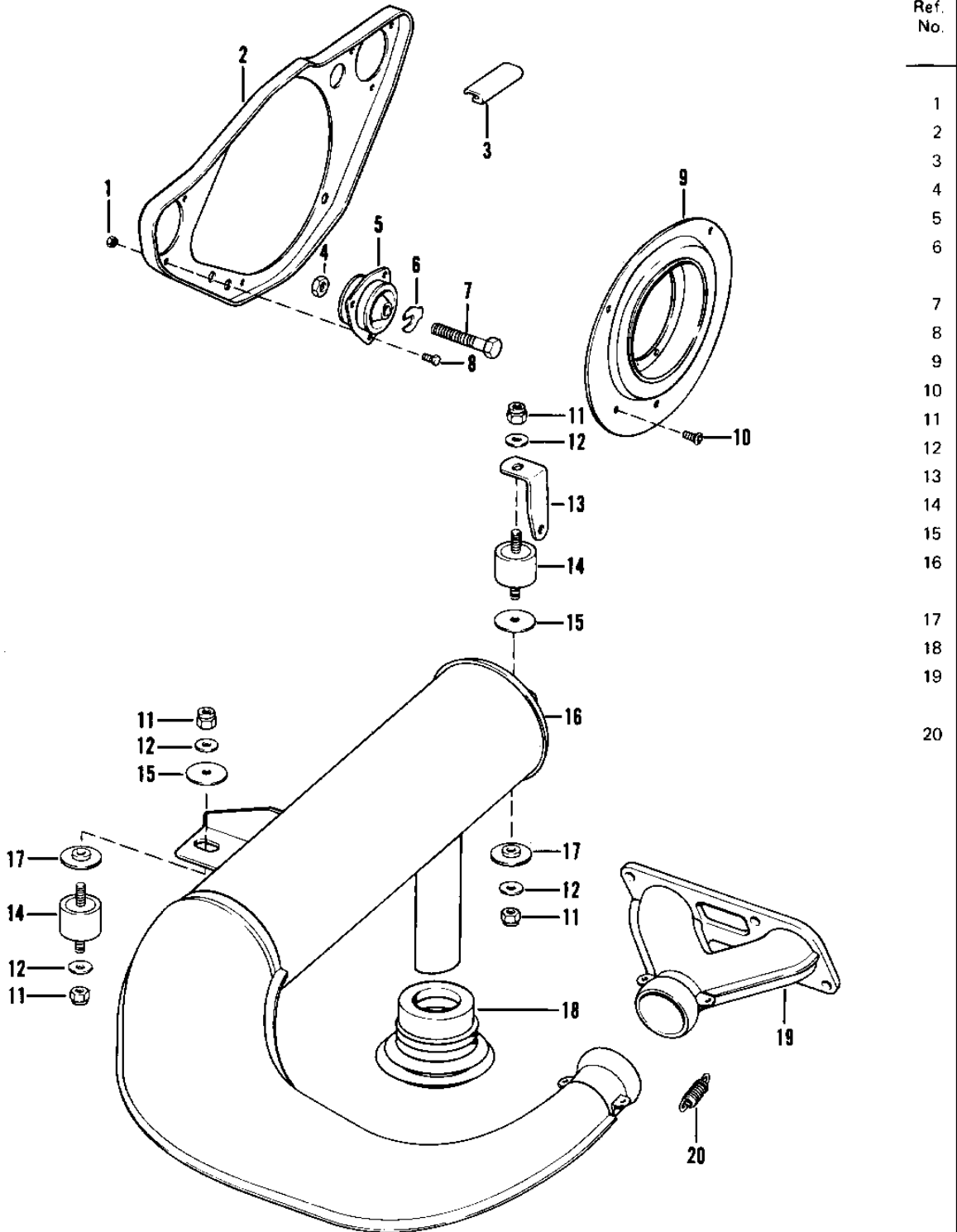


## 1979 Invader 340 PARTS DIAGRAM

ENGINE MOUNT & EXHAUST

### Engine Mount



## 1979 Invader 340 PARTS LIST

### ENGINE MOUNT & EXHAUST

| ITEM NAME                      | PART NUMBER | QUANTITY |
|--------------------------------|-------------|----------|
| NUT (Ref # 1)                  | 350BA0800   | 1        |
| MOUNT-ENGINE (Ref # 2)         | 39082-3504  | 1        |
| PAD-ENGINE MOUNT (Ref # 3)     | 39156-3508  | 1        |
| NUT (Ref # 4)                  | 350BA1200   | 1        |
| DAMPER-ENGINE MOUNT (Ref # 5)  | 92075-3505  | 1        |
| SHIM-0.08T (Ref # 6)           | 92025-3506  | 1        |
| SHIM-0.04T (Ref # 6)           | 92025-3507  | 1        |
| BOLT (Ref # 7)                 | 119BA1240   | 1        |
| BOLT (Ref # 8)                 | 119BA0808   | 1        |
| MOUNT-ENGINE-TOP (Ref # 9)     | 39157-3502  | 1        |
| SCREW (Ref # 10)               | 92009-3503  | 1        |
| NUT (Ref # 11)                 | 351BA1000   | 1        |
| WASHER (Ref # 12)              | 412EA1000   | 1        |
| BRACKET-MUFFLER (Ref # 13)     | 32069-3501  | 1        |
| DAMPER-ENGINE MOUNT (Ref # 14) | 92075-3506  | 1        |
| WASHER (Ref # 15)              | 92022-3518  | 1        |
| MUFFLER-COMP-TUNED (Ref # 16)  | 39083-3501  | 1        |
| WASHER (Ref # 17)              | 92022-3520  | 1        |
| BOOT-EXHAUST (Ref # 18)        | 49006-3502  | 1        |
| MANIFOLD-EXHAUST (Ref # 19)    | 39178-3501  | 1        |
| SPRING-EXHAUST (Ref # 20)      | 92081-3502  | 1        |