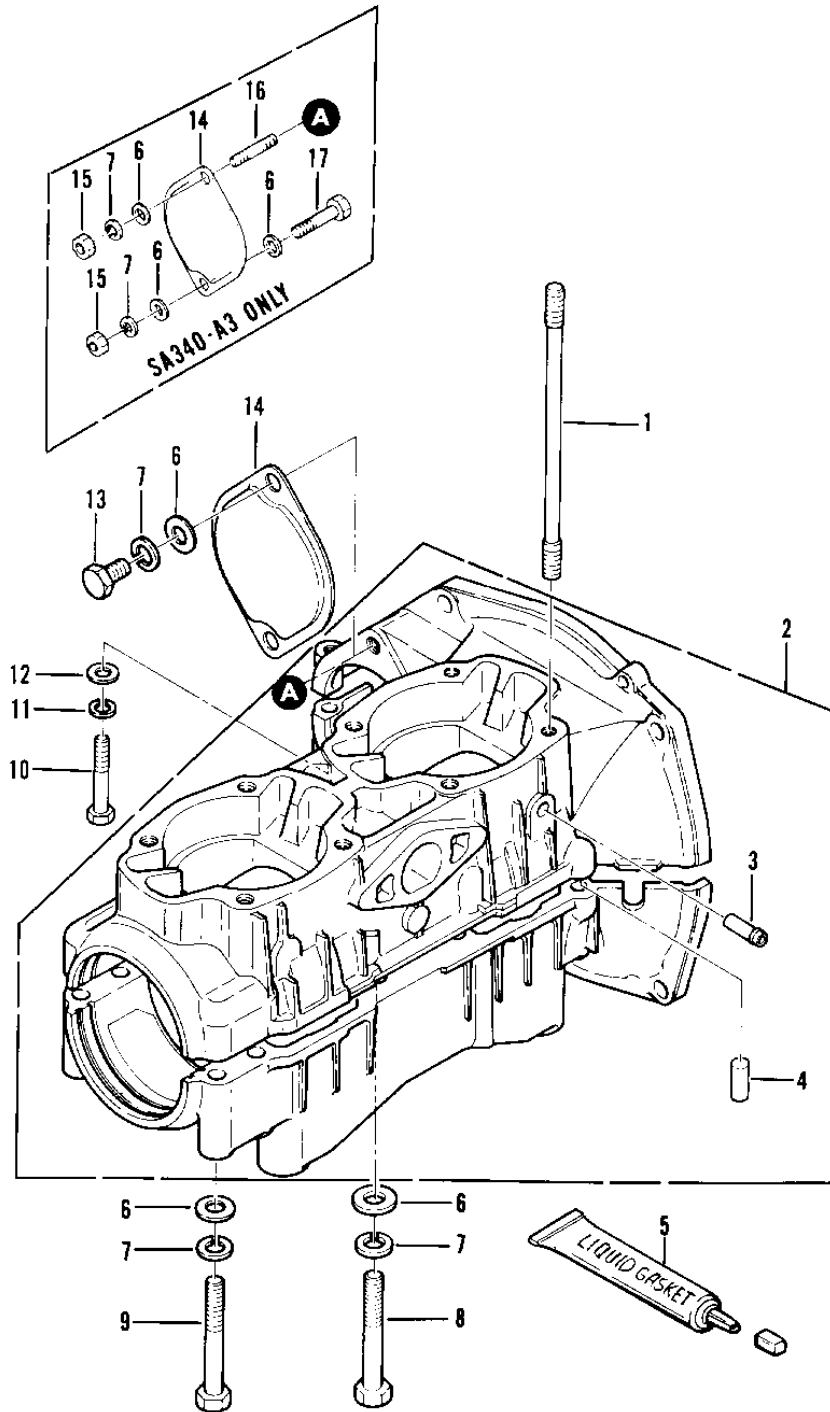


1979 Drifter 340 PARTS DIAGRAM

CRANKCASE



SA340-A3/SB440-A3

R
Z

E

1979 Drifter 340 PARTS LIST

CRANKCASE

ITEM NAME	PART NUMBER	QUANTITY
STUD (Ref # 1)	92004-504	1
CRANK CASE ASSY (Ref # 2)	14001-3007	1
.PIPE-PULSER (Ref # 3)	32032-3001	1
.PIN DOWEL 8X16 (Ref # 4)	551A0816	1
LIQUID GASKET (Ref # 5)	92104-002	1
WASHER PLAIN 8MM (Ref # 6)	410B0800	1
WASHER SPRING 8MM (Ref # 7)	461F0800	1
BOLT-8X63 (Ref # 8)	92001-1397	1
BOLT-UPSET,6X40 (Ref # 10)	112G0640	1
WASHER SPRING 6MM (Ref # 11)	461F0600	1
WASHER PLAIN 6MM (Ref # 12)	410B0600	1
COVER-HOLE-CRANK (Ref # 14)	14025-3013	1
NUT,8MM (Ref # 15)	311B0800	1
STUD 8X20 (Ref # 16)	172G0820	1
BOLT 8X68 (Ref # 17)	110B0868A	1