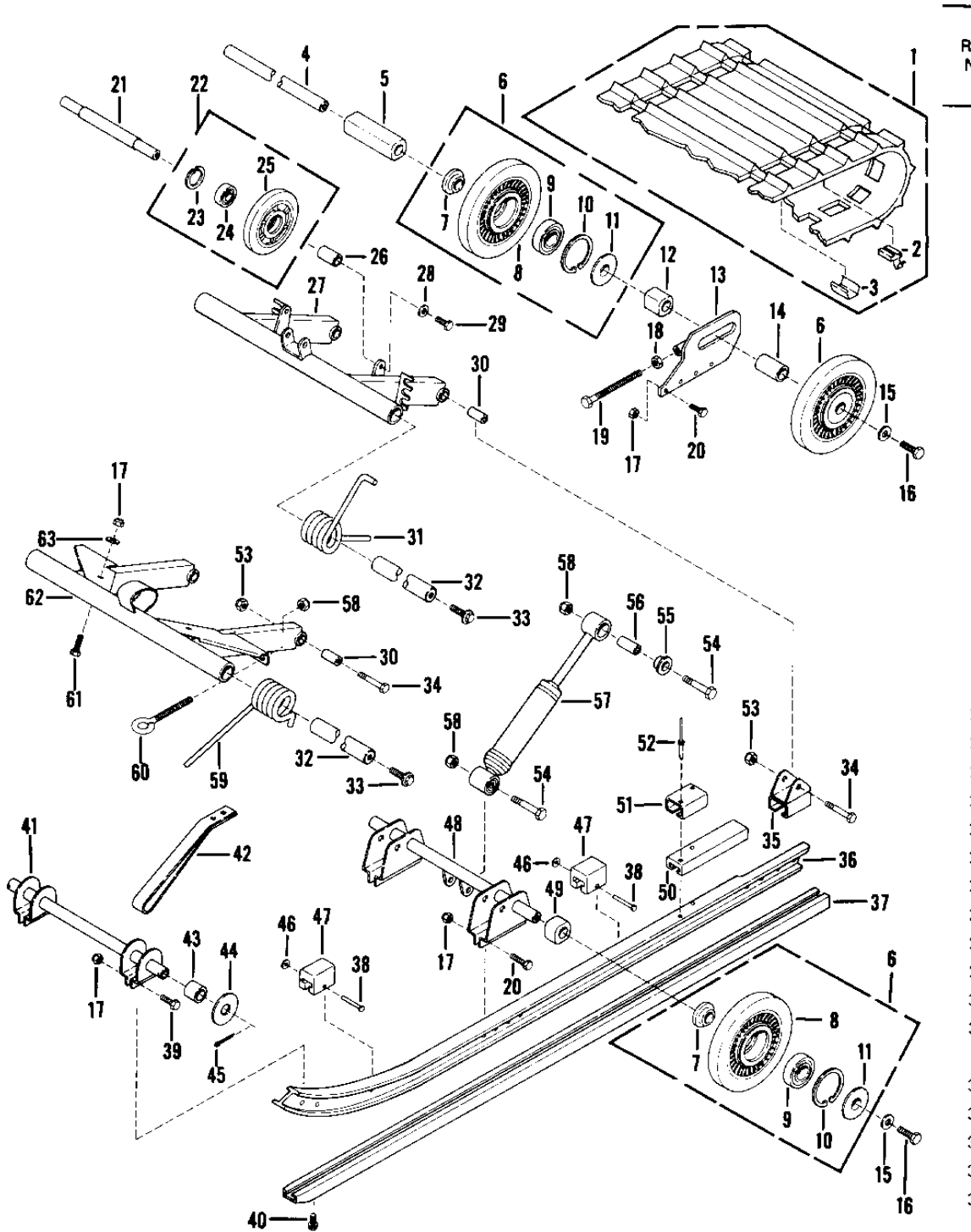


1979 Drifter 340 PARTS DIAGRAM

SUSPENSION



SA340-A3/SB440-A3

B

1979 Drifter 340 PARTS LIST

SUSPENSION

ITEM NAME	PART NUMBER	QUANTITY
TRACK (Ref # 1)	39125-3506	1
.CLIP-TRACK (Ref # 2)	49048-3502	1
.CLIP-TRACK (Ref # 3)	49048-3503	1
PIPE-REAR AXLE (Ref # 4)	32032-3530	1
UNAVAILABLE IN PRICE BOOK (Ref # 5)	060716	1
WHEEL-ASSY-IDLER (Ref # 6)	41073-3506	1
.SPACER (Ref # 7)	92026-3509	1
.WHEEL-IDLER (Ref # 8)	39153-3511	1
.BEARING-BALL (Ref # 9)	92045-3502	1
.RING-SNAP (Ref # 10)	92033-3504	1
.SPACER (Ref # 11)	92026-3508	1
SPACER (Ref # 12)	92026-3532	1
BRACKET-REAR AXLE RH (Ref # 13)	39172-3503	1
BRACKET-REAR-AXLE LH (Ref # 13)	39172-3502	1
SPACER (Ref # 14)	92026-3535	1
WASHER (Ref # 15)	413EA1200	1
BOLT (Ref # 16)	92001-3529	1
NUT (Ref # 17)	351BA0800	1
NUT (Ref # 18)	343BA1200	1
BOLT (Ref # 19)	92001-3527	1
UNAVAILABLE IN PRICE BOOK (Ref # 20)	913159	1
SHAFT-IDLER WHEEL (Ref # 21)	13107-3507	1
WHEEL-ASSY-REAR IDLER (Ref # 22)	41073-3505	1
.RING-SNAP (Ref # 23)	92033-3511	1
.BEARING-BALL (Ref # 24)	92045-3513	1
.WHEEL-IDLER (Ref # 25)	39153-3510	1
PIPE-SPACER (Ref # 26)	32032-3540	1
ARM-SUSP-REAR (Ref # 27)	33001-3504	1
WASHER (Ref # 28)	465FA1000	1

1979 Drifter 340 PARTS LIST

SUSPENSION

ITEM NAME	PART NUMBER	QUANTITY
BOLT (Ref # 29)	118BA1012	1
PIPE-SPACER (Ref # 30)	32032-3543	1
SPRING-REAR RH \$\$ (Ref # 31)	92081-3538	1
SPRING-REAR LH \$\$ (Ref # 31)	92081-3537	1
SHAFT-AXLE ARM (Ref # 32)	13107-3506	1
BOLT (Ref # 33)	92001-3508	1
BOLT (Ref # 34)	118BA1032	1
BRACKET-REAR SUSP ARM (Ref # 35)	39020-3504	1
RAIL-SUSPENSION RH (Ref # 36)	39105-3504	1
RAIL-SUSPENSION LH (Ref # 36)	39105-3503	1
STRIP-RAIL WEAR (Ref # 37)	39139-3504	1
PIN-BUMPER (Ref # 38)	92043-3515	1
SCREW (Ref # 39)	244DA0812	1
SCREW (Ref # 40)	92009-3538	1
BRACKET-COMP LIMITER (Ref # 41)	23062-3517	1
LIMITER-FRONT STRAP (Ref # 42)	39076-3503	1
BUSHING-FRONT SPRING (Ref # 43)	92028-3515	1
WASHER (Ref # 44)	92022-3551	1
COTTER (Ref # 45)	92041-3501	1
RETAINER-HOOD VENT (Ref # 46)	14020-3518	1
BUMPER-STOP (Ref # 47)	59201-3504	1
BRACKET-SUSP-FRONT (Ref # 48)	39020-3505	1
SPACER (Ref # 49)	92026-3533	1
STRIP-RAIL WEAR (Ref # 50)	39139-3503	1
BRACKET-STOP (Ref # 51)	11034-3584	1
RIVET (Ref # 52)	534YW0612	1
NUT (Ref # 53)	351BA1000	1
BOLT (Ref # 54)	118BA1236	1
BUSHING-SHOCK ABSORB (Ref # 55)	92028-3502	1

1979 Drifter 340 PARTS LIST

SUSPENSION

ITEM NAME	PART NUMBER	QUANTITY
SLEEVE-SHOCK ABSORBER (Ref # 56)	42036-3502	1
SHOCK ABSORBER-SUSP (Ref # 57)	45014-3503	1
NUT (Ref # 58)	351BA1200	1
SPRING-FRONT RH (Ref # 59)	92081-3539	1
SPRING-FRONT LH (Ref # 59)	92081-3540	1
BOLT-EYE \$\$ (Ref # 60)	39010-3502	1
BOLT (Ref # 61)	118BA0816	1
ARM-SUSP-FRONT (Ref # 62)	33001-3503	1
WASHER (Ref # 63)	412EA0800	1