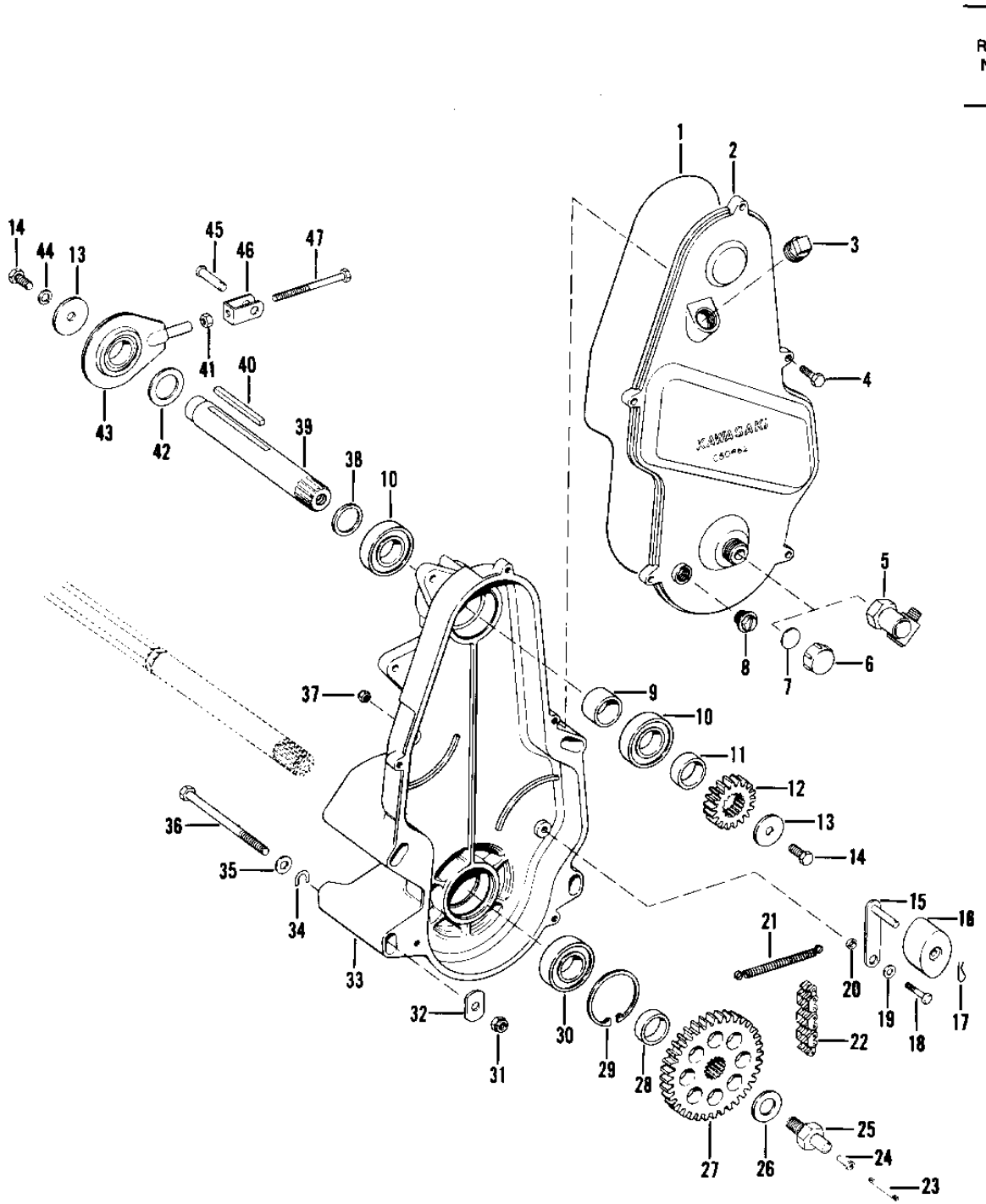


1979 Drifter 340 PARTS DIAGRAM

CHAINCASE



SA340-A3/SB440-A3

1979 Drifter 340 PARTS LIST

CHAINCASE

ITEM NAME	PART NUMBER	QUANTITY
RING-0 (Ref # 1)	92055-3505	1
COVER-CHAIN CASE (Ref # 2)	39039-3502	1
PLUG-CHAINCASE FILL (Ref # 3)	92066-3502	1
UNAVAILABLE IN PRICE BOOK (Ref # 4)	913159	1
CAP-CHAINCASE (Ref # 6)	11012-3502	1
GASKET-CHAINCASE CAP (Ref # 7)	11009-3514	1
PLUG-CHAIN COVER (Ref # 8)	92066-3505	1
SPACER (Ref # 9)	92026-3529	1
BEARING-BALL (Ref # 10)	92045-3502	1
SPACER (Ref # 11)	92026-3530	1
SPROCKET-DRIVE-21TH (Ref # 12)	39134-3503	1
SPROCKET,DRIVE-17TH (Ref # 12)	39134-3506	1
SPROCKET-DRIVE-18TH (Ref # 12)	39134-3502	1
SPROCKET,DRIVE-19TH (Ref # 12)	39134-3505	1
SPROCKET,DRIVE-20TH (Ref # 12)	39134-3504	1
SPROCKET-DRIVE-22TH (Ref # 12)	39134-3508	1
WASHER (Ref # 13)	92022-3542	1
BOLT (Ref # 14)	92001-3517	1
ARM-TENSIONER (Ref # 15)	39170-3501	1
GUIDE-CHAIN (Ref # 16)	12053-3501	1
PIN-HAIR (Ref # 17)	39092-3501	1
BOLT (Ref # 18)	119BA0816	1
WASHER (Ref # 19)	412EA0800	1
SLEEVE-TENSIONER ARM (Ref # 20)	42036-3501	1
SPRING-GRN-CHAINCASE (Ref # 21)	92081-3508	1
SPRING-BLUE-CHAINCASE (Ref # 21)	92081-3503	1
SPRING-PINK-CHAINCASE (Ref # 21)	92081-3506	1
SPRING-YELL-CHAINCASE (Ref # 21)	92081-3507	1
CHAIN-90 PITCH (Ref # 22)	92057-3505	1

1979 Drifter 340 PARTS LIST

CHAINCASE

ITEM NAME	PART NUMBER	QUANTITY
ADAPTER-SPEEDO KEY (Ref # 24)	41077-3502	1
BOLT-SPECIAL, SPROCKET (Ref # 25)	92001-3525	1
WASHER (Ref # 26)	92022-3502	1
SPROCKET-DRIVEN-38TH (Ref # 27)	39135-3509	1
SPROCKET-DRIVEN-36TH (Ref # 27)	39135-3510	1
SPROCKET-DRIVEN-37TH (Ref # 27)	39135-3513	1
SPROCKET-DRIVEN-39TH (Ref # 27)	39135-3512	1
SPROCKET-DRIVEN-40TH (Ref # 27)	39135-3511	1
SPACER (Ref # 28)	92026-3531	1
RING-SNAP (Ref # 29)	92033-3510	1
BEARING-BALL (Ref # 30)	92045-3506	1
NUT (Ref # 31)	350BA1000	1
WASHER (Ref # 32)	92022-3546	1
CASE-CHAIN (Ref # 33)	36014-3502	1
SHIM-CHAINCASE (Ref # 34)	917101	1
WASHER (Ref # 35)	412EA1000	1
BOLT (Ref # 36)	92001-3523	1
NUT (Ref # 37)	350BA0800	1
SPACER (Ref # 38)	92026-3528	1
SHAFT-DRIVEN (Ref # 39)	13107-3505	1
KEY-CONVERTER (Ref # 40)	92038-3504	1
NUT (Ref # 41)	343BA0800	1
WASHER (Ref # 42)	92022-3544	1
FLANGE-BEARING (Ref # 43)	39171-3503	1
WASHER (Ref # 44)	465FA1000	1
PIN (Ref # 45)	92043-3518	1
BRACKET-FLANGE (Ref # 46)	11034-3570	1
SCREW (Ref # 47)	92009-3559	1
OIL-CHAINCASE-8 OZ. (Ref # *)	S61020-141	1