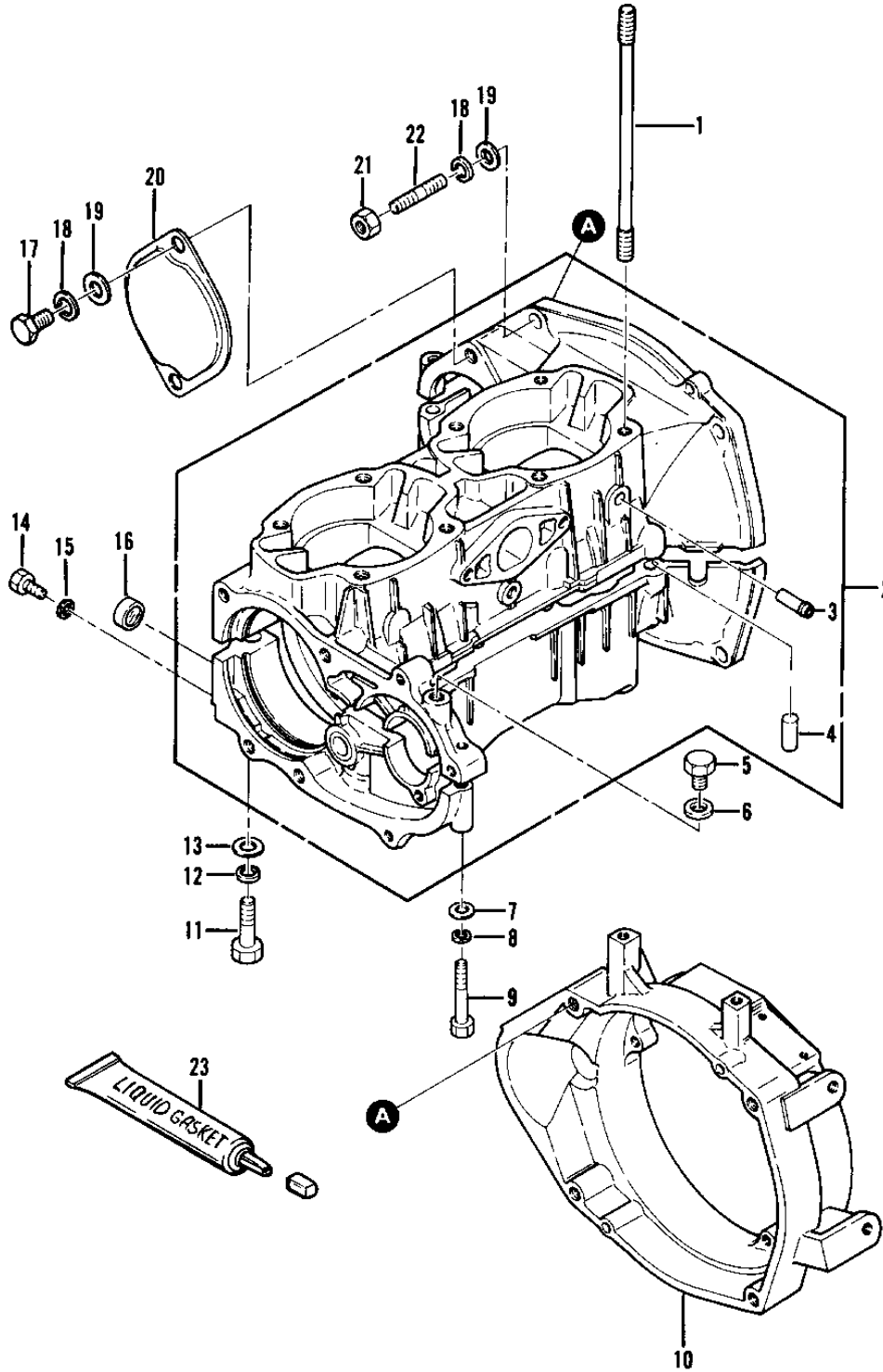


## 1978 Invader 340 PARTS DIAGRAM

CRANKCASE



SS340-A1/SS440-A1/ST440-A1

## 1978 Invader 340 PARTS LIST

### CRANKCASE

ITEM NAME	PART NUMBER	QUANTITY
STUD (Ref # 1)	92004-3002	1
CRANKCASE-SET (Ref # 2)	14001-3009	1
.PIPE-PULSER (Ref # 3)	32032-3001	1
.PIN DOWEL 8X16 (Ref # 4)	551A0816	1
BOLT (Ref # 5)	92001-3004	1
GASKET-OIL FILTER (Ref # 6)	11009-3008	1
WASHER PLAIN 6MM (Ref # 7)	410B0600	1
WASHER SPRING 6MM (Ref # 8)	461F0600	1
BOLT-UPSET,6X40 (Ref # 9)	112G0640	1
COVER-MAGNETO (Ref # 10)	14031-3003	1
BOLT-8X63 (Ref # 11)	92001-1397	1
WASHER SPRING 8MM (Ref # 12)	461F0800	2
WASHER PLAIN 8MM (Ref # 13)	410B0800	2
BOLT,6X10 (Ref # 14)	112G0610	1
GASKET-CHECK VALVE (Ref # 15)	92065-534	1
GUAGE-OIL (Ref # 16)	52005-3001	1
NUT,8MM (Ref # 21)	311B0800	1
STUD,8X25 (Ref # 22)	92004-1008	1
LIQUID GASKET (Ref # 23)	92104-002	1