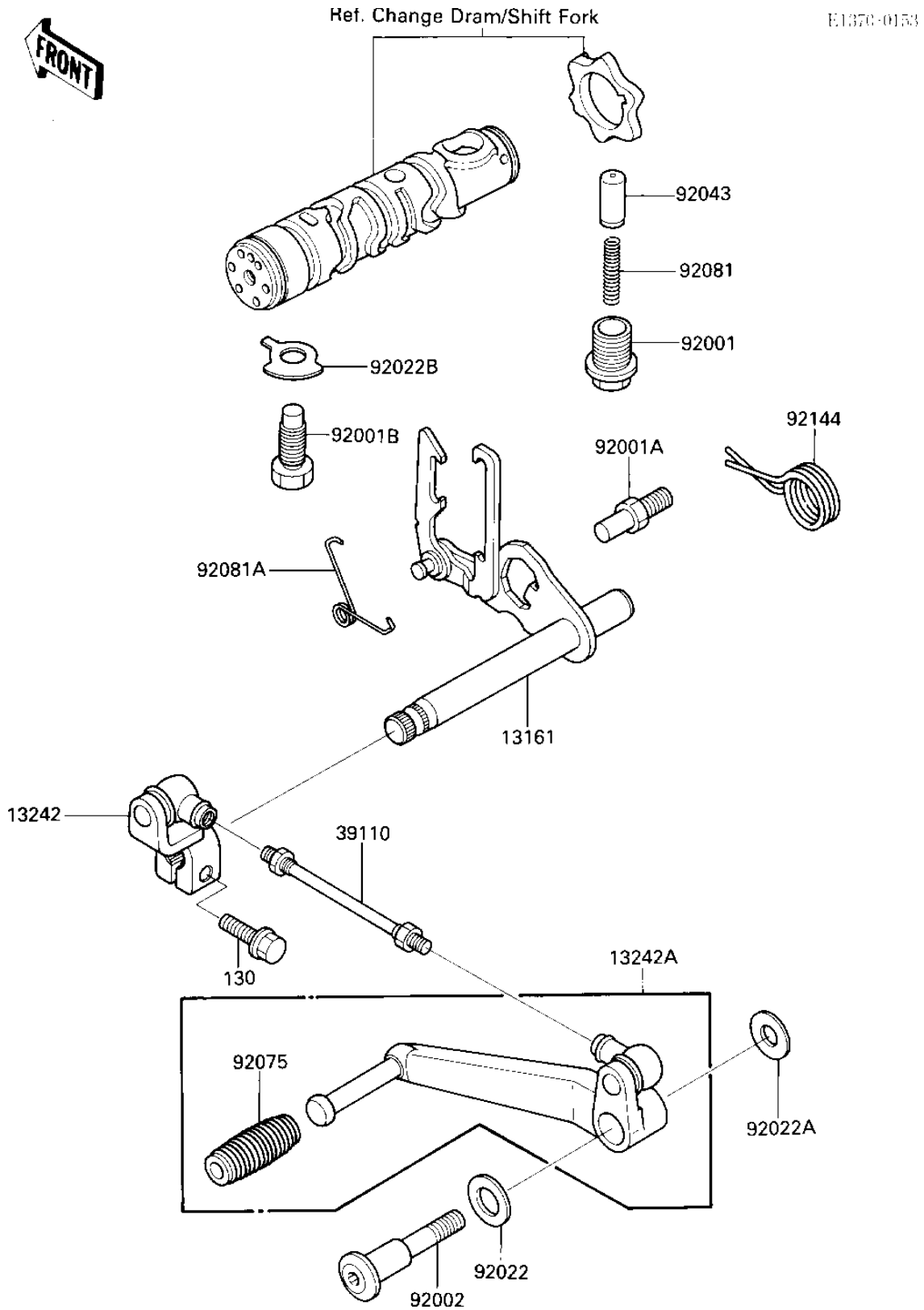


## 1987 NINJA® 600R PARTS DIAGRAM

GEAR CHANGE MECHANISM



## 1987 NINJA® 600R PARTS LIST

### GEAR CHANGE MECHANISM

ITEM NAME	PART NUMBER	QUANTITY
LEVER ASSY,GEAR SFT (Ref # 13161)	13161-042	1
LEVER-ASSY-CHANGE (Ref # 13262)	13242-1190	1
LEVER-ASSY-CHANGE,PED (Ref # 13242A)	13242-1191	1
ROD-ASSY-TIE,CHANGE L (Ref # 39110)	39110-1010	1
BOLT,NEUTRAL POSITION (Ref # 92001)	92001-1037	1
BOLT,RETURN SPRING (Ref # 92001A)	92001-1401	1
BOLT,HEX HEAD,10X26 (Ref # 92001B)	92001-174	1
BOLT,CHANE PEDAL (Ref # 92002)	92002-1773	1
WASHER PLAIN 12MM (Ref # 92022)	92022-072	1
WASHER,8.3X21X5 (Ref # 92022A)	92022-1741	1
WASHER,LOCK,10MM (Ref # 92022B)	92024-074	1
PIN-NEUTRAL POSITION (Ref # 92043)	92043-076	1
DAMPER,CHANGE PEDAL (Ref # 92075)	92160-1036	1
SPRING (Ref # 92081)	92081-112	1
SPRING,KICK PAWL (Ref # 92081A)	92083-018	1
SPRING,CHANGE PEDAL R (Ref # 92144)	92144-1074	1
BOLT-FLANGED,6X20,BLA (Ref # 130)	130S0620	1