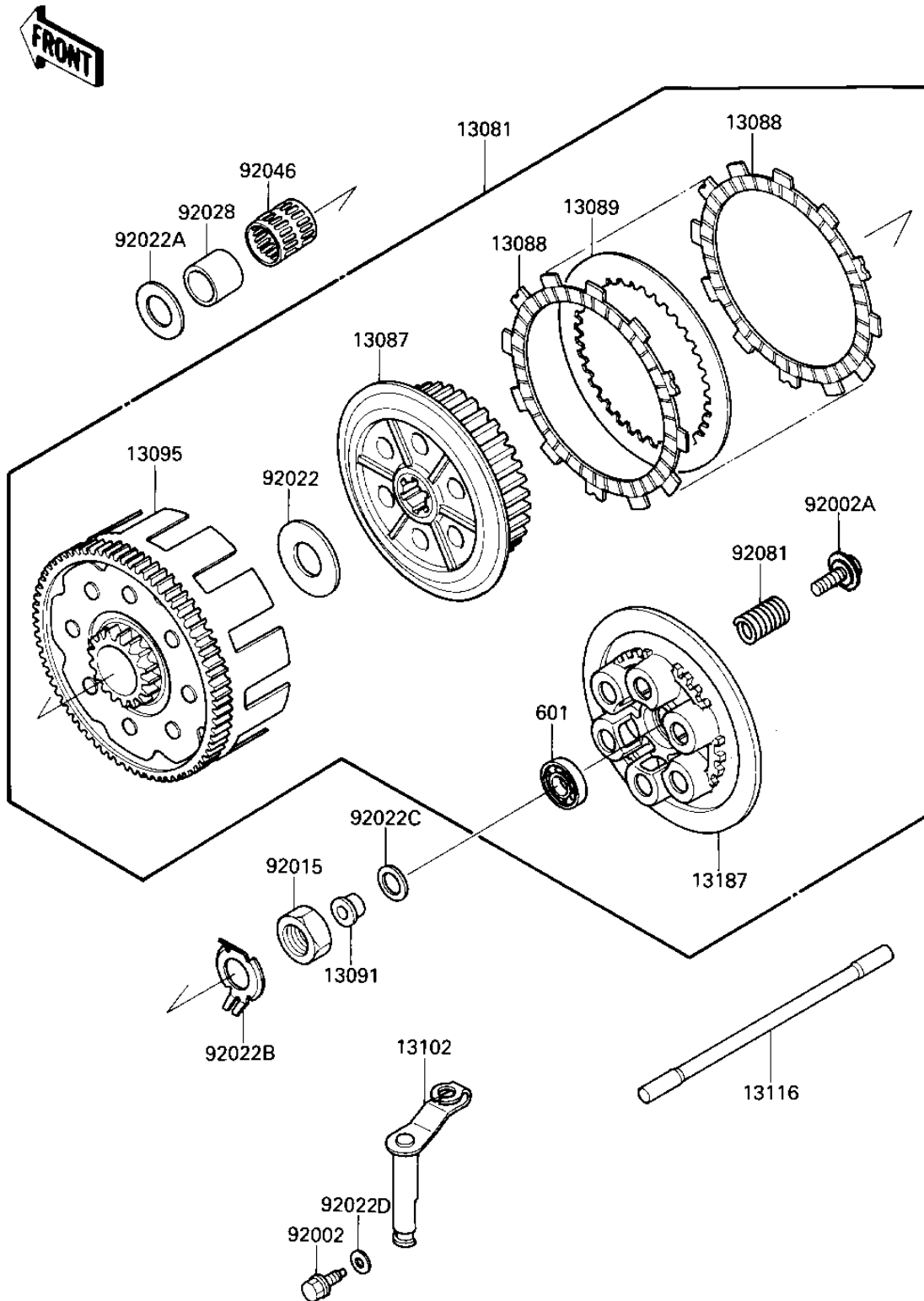


1987 KX™500 PARTS DIAGRAM

CLUTCH

E1350-0142



1987 KX™500 PARTS LIST

CLUTCH

ITEM NAME	PART NUMBER	QUANTITY
CLUTCH-ASSY (Ref # 13081)	13081-1240	1
HUB-CLUTCH (Ref # 13087)	13087-1085	1
PLATE-FRICTION (Ref # 13088)	13088-1069	1
PLATE-CLUTCH (Ref # 13089)	13089-1074	1
HOLDER,ROD (Ref # 13091)	13091-1582	1
HOUSING-COMP-CLUTCH (Ref # 13095)	13095-1196	1
RELEASE-COMP-CLUTCH (Ref # 13102)	13102-1090	1
ROD-PUSH,L=205 (Ref # 13116)	13116-1124	1
PLATE-CLUTCH OPERATIN (Ref # 13187)	13187-1060	1
BOLT (Ref # 92002)	92002-1357	1
BOLT,CLUTCH (Ref # 92002A)	92150-1489	1
NUT 20MM (Ref # 92015)	92016-028	1
WASHER,22.5X46X2.6 (Ref # 92022)	92022-1739	1
WASHER,22.3X38X3.0 (Ref # 92022A)	92022-1832	1
WASHER (Ref # 92022B)	92022-1835	1
WASHER,PLAIN (Ref # 92022C)	92022-269	1
WASHER,PLAIN (Ref # 92022D)	92022-304	1
BUSHING,22X28X27.5 (Ref # 92028)	92028-1385	1
BEARING-NEEDLE,28R322 (Ref # 92046)	92046-1149	1
SPRING,CLUTCH (Ref # 92081)	92081-139	1
BEARING-BALL (Ref # 601)	92045-1235	1