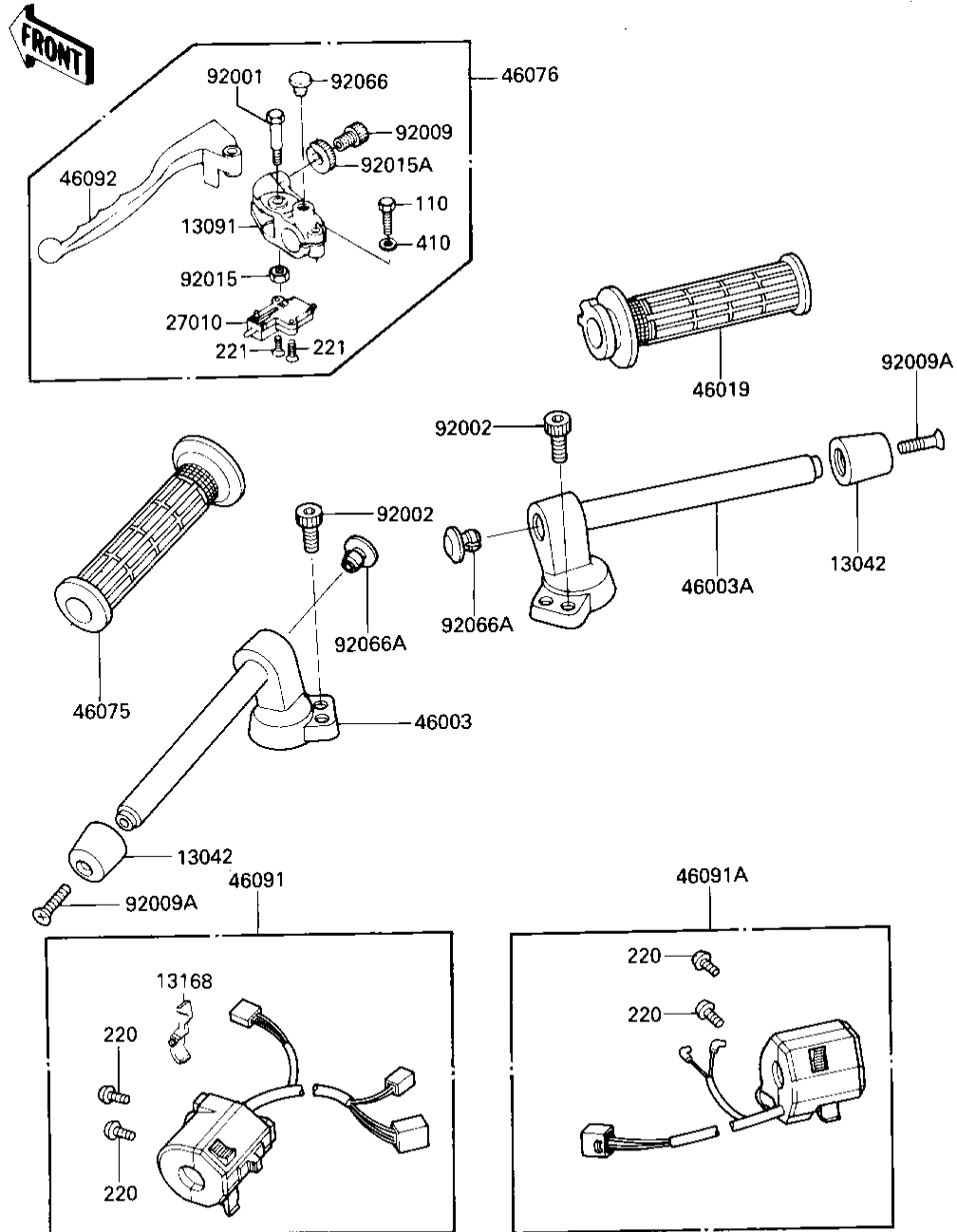


1987 NINJA® 600R PARTS DIAGRAM

HANDLEBAR

F2310-0366

Re
No



1987 NINJA® 600R PARTS LIST

HANDLEBAR

ITEM NAME	PART NUMBER	QUANTITY
WEIGHT,HANDLE (Ref # 13042)	13042-1005	1
HOLDER,CLUTCH LEVER (Ref # 13091)	13091-1185	1
LEVER,CHOKE (Ref # 13168)	13168-1239	1
SWITCH,CLUTCH (Ref # 27010)	27010-1094	1
HANDLE,LH (Ref # 46003)	46003-1183	1
HANDLE,RH (Ref # 46003A)	46003-1184	1
GRIP-ASSY,THROTTLE (Ref # 46019)	46019-1059	1
GRIP,LH (Ref # 46075)	46075-1028	1
LEVER-ASSY-GRIP,LH (Ref # 46076)	46076-1041	1
HOUSING-ASSY-CONTROL, (Ref # 46091)	46091-1335	1
HOUSING-ASSY-CONTROL, (Ref # 46091A)	46091-1361	1
LEVER-GRIP,CLUTCH (Ref # 46092)	46092-1050	1
BOLT,CLUTCH LEVER,BLA (Ref # 92001)	92001-1548	1
BOLT,SOCKET,8X20 (Ref # 92002)	92002-1178	1
SCREW,CABLE ADJUST,8 (Ref # 92009)	92009-1134	1
SCREW,HUNDLE WEIGHT (Ref # 92009A)	92009-1257	1
NUT,LOCK,6MM,BLACK (Ref # 92015)	92015-1191	1
NUT,CABLE ADJUST LOCK (Ref # 92015A)	92015-1197	1
PLUG,9.5X8 (Ref # 92066)	92066-1077	1
PLUG,HANDLE (Ref # 92066A)	92066-1179	1
BOLT,6X22,BLACK (Ref # 110)	110C0622	1
SCREW-PAN-CROS (Ref # 220)	220C0520	1
SCREW-CSK-CROS (Ref # 221)	221C0316	1
WASHER PLAIN (Ref # 410)	410F0600	1