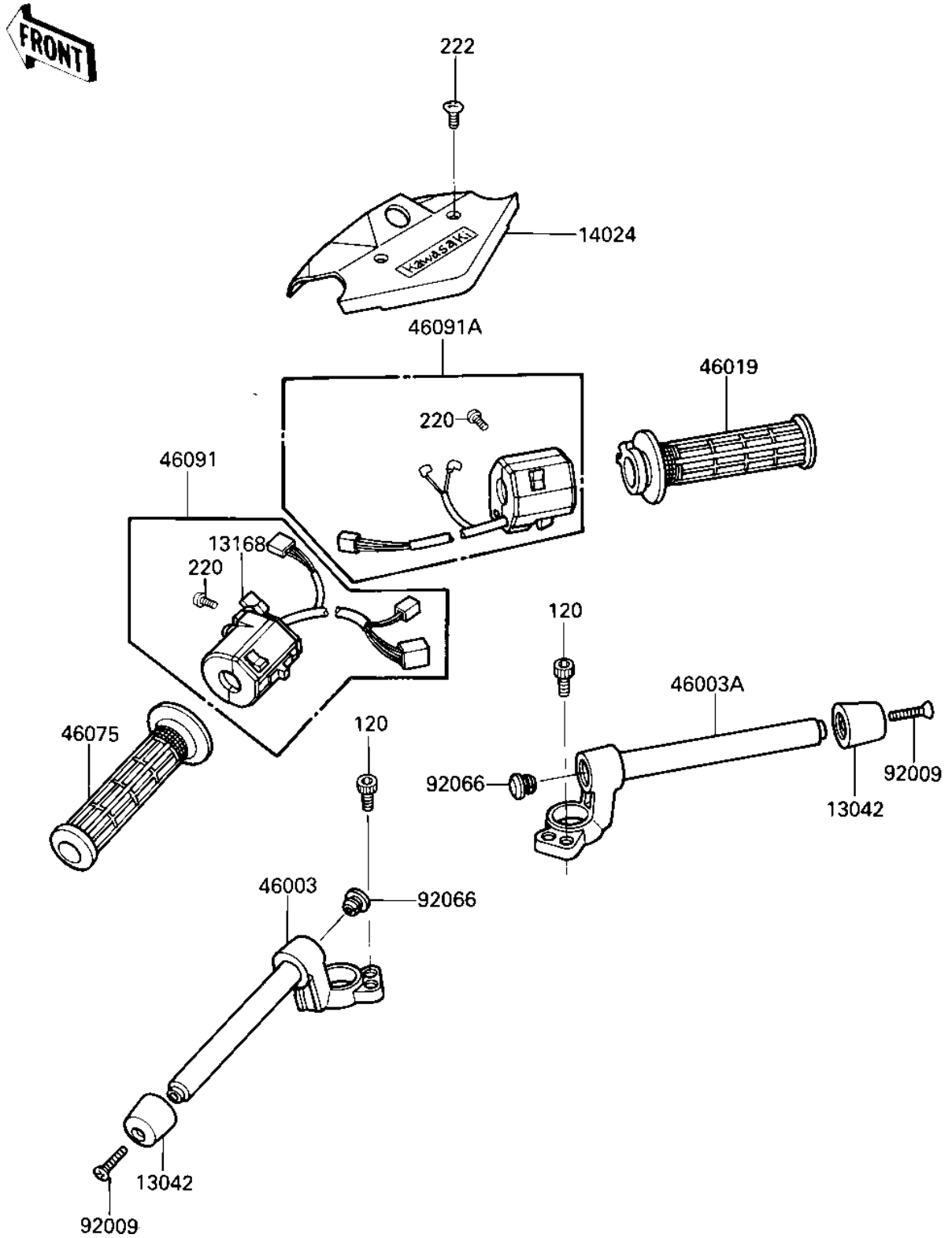


1986 NINJA® ZX™-9R PARTS DIAGRAM

HANDLEBAR

F2310-0330



1986 NINJA® ZX™-9R PARTS LIST

HANDLEBAR

ITEM NAME	PART NUMBER	QUANTITY
WEIGHT,HANDLE (Ref # 13042)	13042-1005	1
LEVER,CHOKE (Ref # 13168)	13168-1239	1
COVER,HANDLE (Ref # 14024)	14025-1830	1
HANDLE,LH (Ref # 46003)	46003-1203	1
HANDLE,RH (Ref # 46003A)	46003-1204	1
GRIP-ASSY,THROTTLE (Ref # 46019)	46019-1059	1
GRIP,LH (Ref # 46075)	46075-1028	1
HOUSING-ASSY-CONTROL, (Ref # 46091)	46091-1335	1
HOUSING-ASSY-CONTROL, (Ref # 46091A)	46091-1361	1
SCREW,HUNDLE WEIGHT (Ref # 92009)	92009-1257	1
PLUG,HANDLE (Ref # 92066)	92066-1179	1
BOLT-SOCKET,8X20 (Ref # 120)	120S0820	1
SCREW-PAN-CROS (Ref # 220)	220C0520	1
SCREW-CSK-RD-CROS (Ref # 222)	222C0530	1