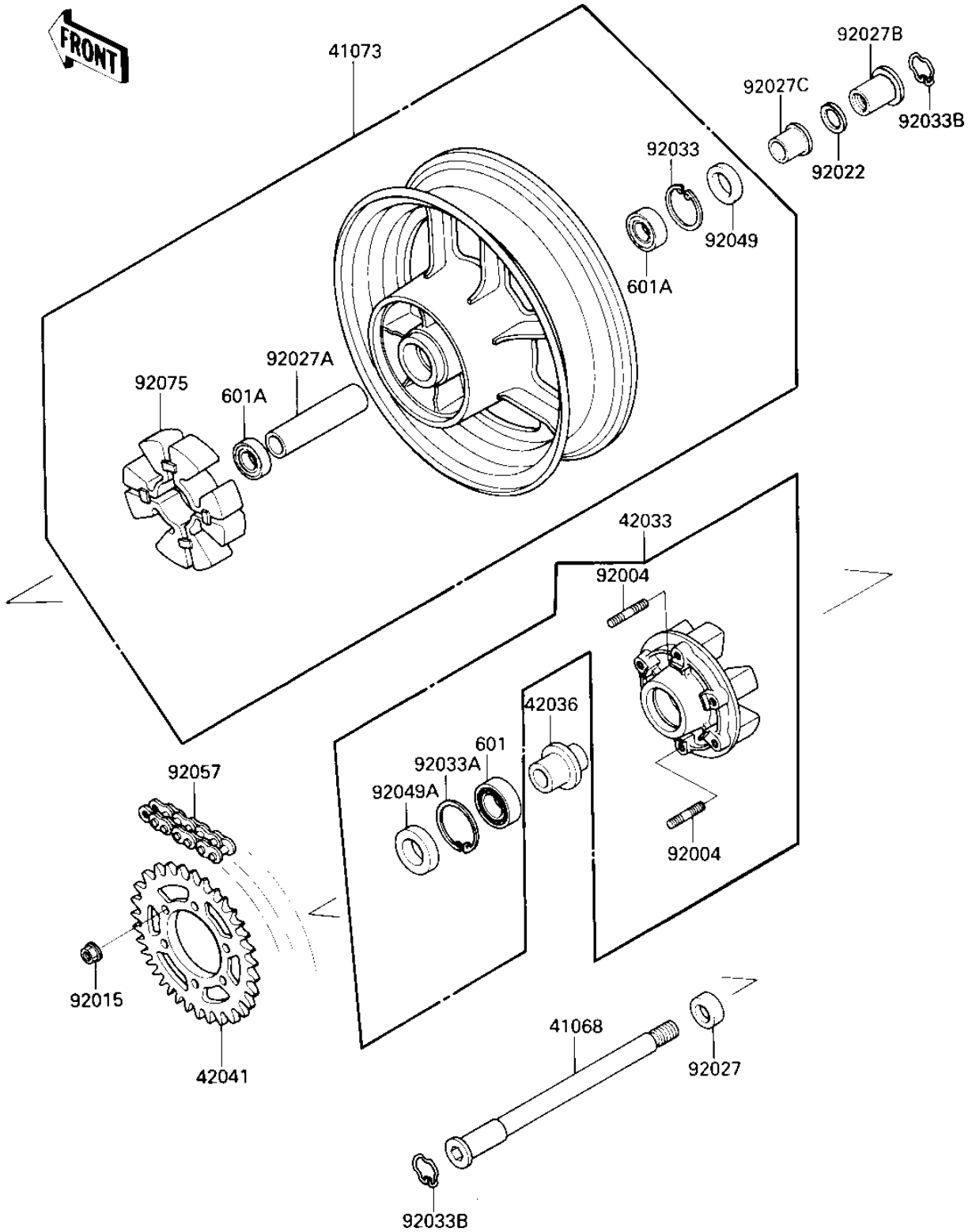


1986 NINJA® ZX™-9R PARTS DIAGRAM

REAR WHEEL/HUB/CHAIN

F2240-0161



1986 NINJA® ZX™-9R PARTS LIST

REAR WHEEL/HUB/CHAIN

ITEM NAME	PART NUMBER	QUANTITY
AXLE,RR (Ref # 41068)	41068-1162	1
WHEEL-ASSY,RR,M.GRAY (Ref # 41073)	41073-1283-J9	1
COUPLING-ASSY,RR HUB (Ref # 42033)	42033-1110	1
SLEEVE,RR HUB COUPLNG (Ref # 42036)	42036-1030	1
SPROCKET-HUB,50T (Ref # 42041)	42041-1190	1
STUD,10X19.5 (Ref # 92004)	92004-1151	1
NUT,FLANGED,10MM (Ref # 92015)	92015-1502	1
WASHER,23X32X2.3 (Ref # 92022)	92022-1618	1
COLLAR,RR HUB COUPLIN (Ref # 92027)	92027-1713	1
COLLAR,L=104 (Ref # 92027A)	92027-1714	1
COLLAR,RR AXLE,L=28 (Ref # 92027B)	92027-1810	1
COLLAR,RR HUB,L=33 (Ref # 92027C)	92027-1811	1
CIRCLIP,47M/M (Ref # 92033)	92033-1042	1
CIRCLIP,62M/M (Ref # 92033A)	92033-1044	1
RING-SNAP,RR AXLE (Ref # 92033B)	92033-1156	1
OIL SEAL,AG1556EO (Ref # 92049)	92049-1056	1
OIL SEAL (Ref # 92049A)	92050-027	1
CHAIN,DRIVE,EK530KVDO (Ref # 92057)	92057-1169	1
DAMPER,SHOCK,RR HUB (Ref # 92075)	92075-1593	1
BALL BEARING,#6206 (Ref # 601)	601B6206	1
BALL BEARING, #6303 (Ref # 601A)	601B6303ZZ	1