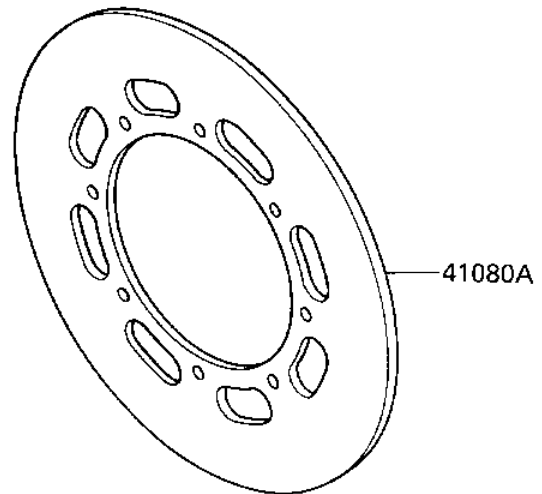
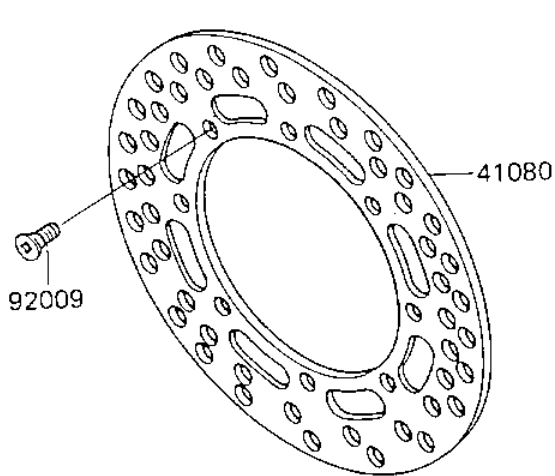
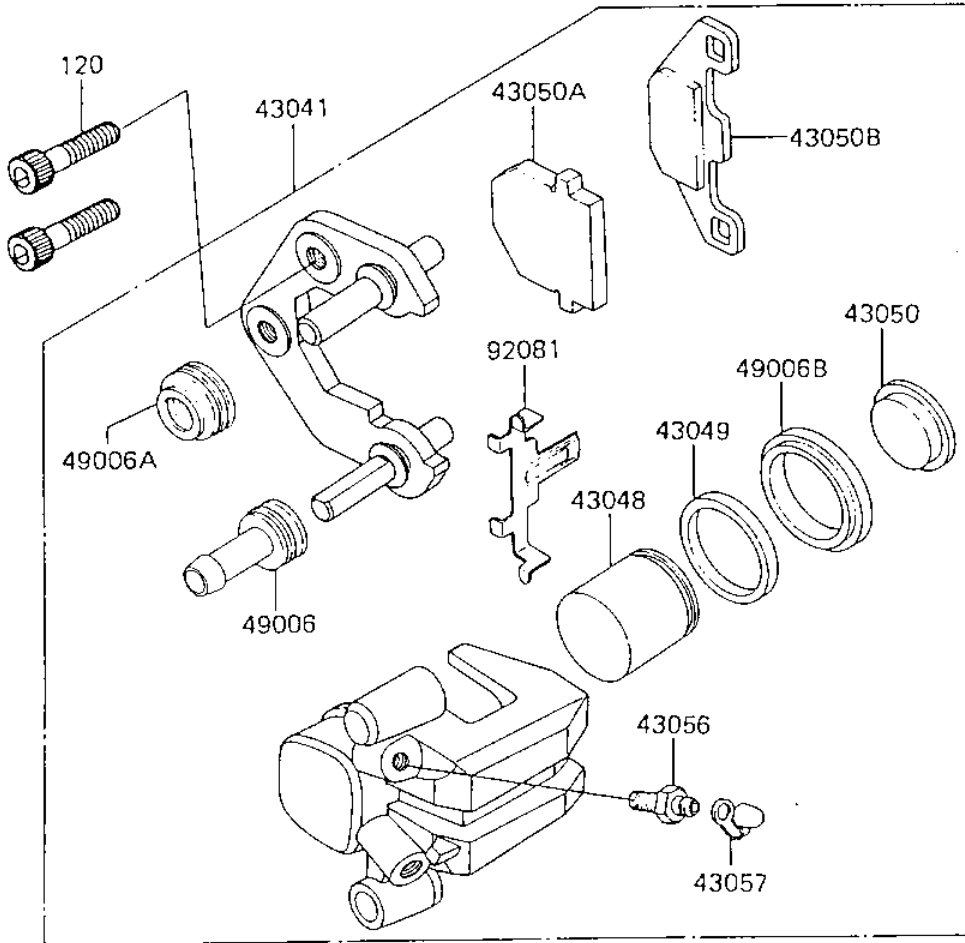


## 1986 KX™500 PARTS DIAGRAM

FRONT BRAKE

F2292-0076



## 1986 KX™500 PARTS LIST

### FRONT BRAKE

ITEM NAME	PART NUMBER	QUANTITY
DISC,FR (Ref # 41080)	41080-1147	1
DISC,FR (Ref # 41080A)	41080-1188	1
CALIPER-ASSY (Ref # 43041)	43041-1084	1
PISTON-CALIPER (Ref # 43048)	43048-1056	1
PACKING,CALIPER (Ref # 43049)	43049-1027	1
PAD-BRAKE (Ref # 43050)	43050-1051	1
PAD-BRAKE (Ref # 43050A)	43050-1063	1
PAD-BRAKE (Ref # 43050B)	43050-1064	1
BREEDER (Ref # 43056)	43056-003	1
CAP,BREEDER (Ref # 43057)	43057-003	1
BOOT,CALIPER (Ref # 49006)	49006-1054	1
BOOT,CALIPER (Ref # 49006A)	49006-1055	1
BOOT,CALIPER (Ref # 49006B)	49006-1093	1
SCREW,6X10 (Ref # 92009)	92009-1375	1
SPRING (Ref # 92081)	92081-1341	1
BOLT-SOCKET,8X20 (Ref # 120)	120P0820	1