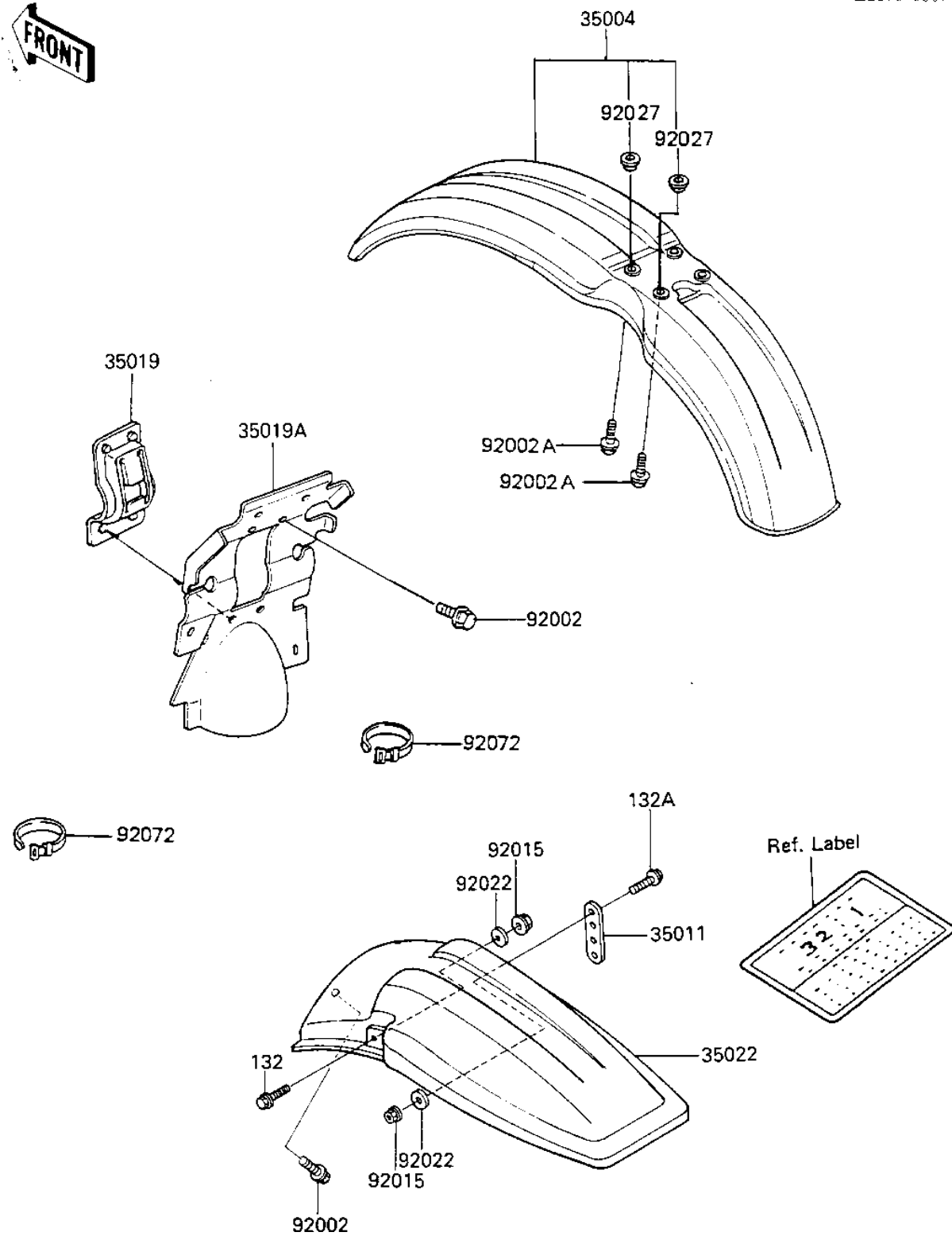


## 1986 KX™500 PARTS DIAGRAM

FENDERS

E2170-0307



## 1986 KX™500 PARTS LIST

### FENDERS

ITEM NAME	PART NUMBER	QUANTITY
FENDER-FRONT,L.GREEN (Ref # 35004)	35004-1233-6W	1
STAY,MUFFLER (Ref # 35011)	35011-1261	1
FLAP,REAR FENDER (Ref # 35019)	35019-1129	1
FLAP,AIR FILTER (Ref # 35019A)	35019-1162	1
FENDER-COMP-REAR,L.GR (Ref # 35022)	35022-1217-6W	1
BOLT,6X14 (Ref # 92002)	92150-1340	1
BOLT (Ref # 92002A)	92150-1506	1
NUT-6MM (Ref # 92015)	92015-1078	1
WASHER 6.5X20X1.6T (Ref # 92022)	92022-125	1
COLLAR,FRONT FENDER (Ref # 92027)	92027-1936	1
BAND,WIRING HARNESS (Ref # 92072)	92072-056	1
BOLT-FLANGED-SMALL (Ref # 132)	132G0616	1
BOLT-FLANGED-SMALL (Ref # 132A)	132G0635	1