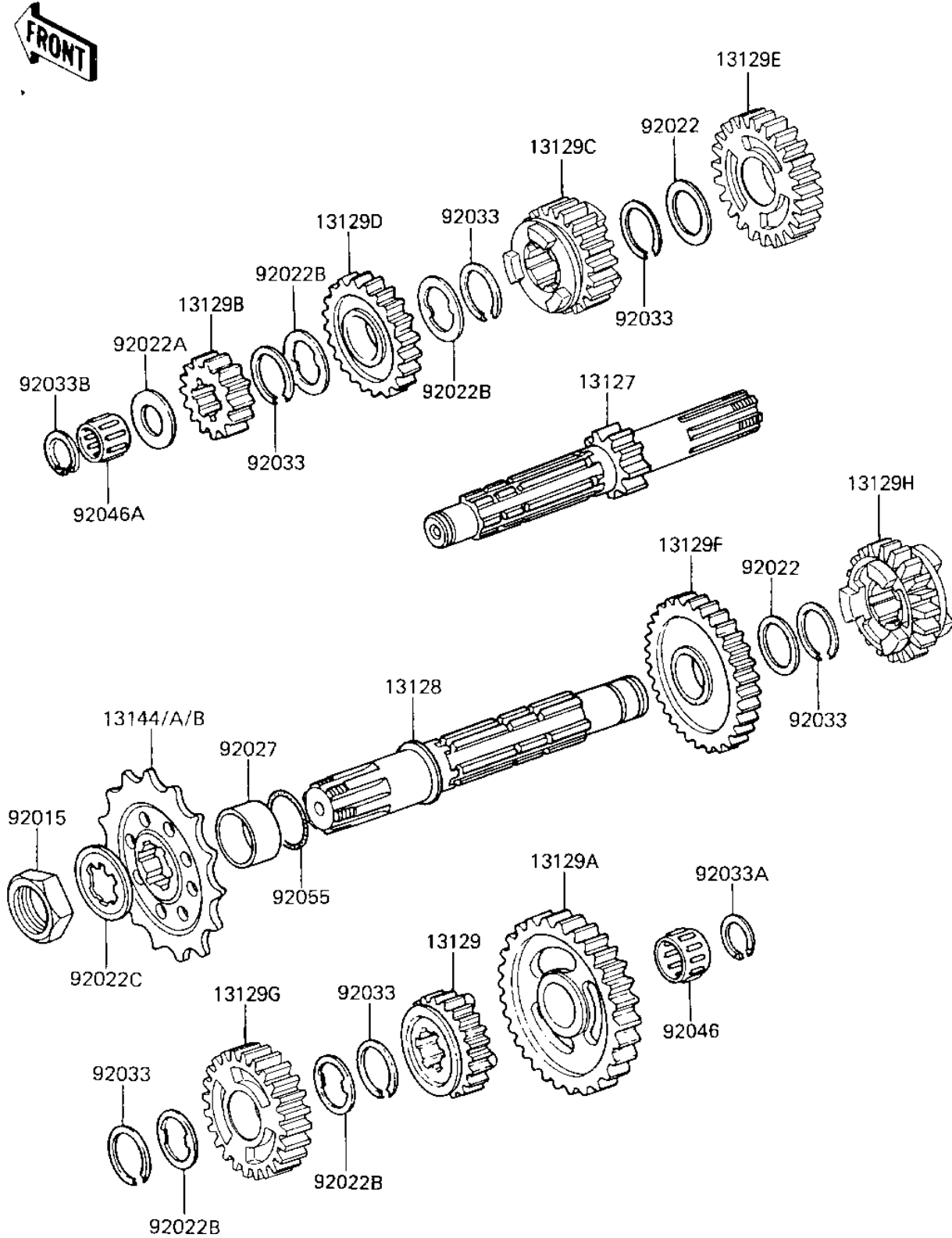


## 1986 KX™500 PARTS DIAGRAM

TRANSMISSION

E1361-0165



## 1986 KX™500 PARTS LIST

### TRANSMISSION

| ITEM NAME                           | PART NUMBER | QUANTITY |
|-------------------------------------|-------------|----------|
| SHAFT-TRANSMISSION IN (Ref # 13127) | 13127-1131  | 1        |
| SHAFT-TRANSMISSION OU (Ref # 13128) | 13128-1128  | 1        |
| TOP GEAR,OUTPUT,19T (Ref # 13129)   | 13129-1133  | 1        |
| LOW GEAR,OUTPUT,32T (Ref # 13129A)  | 13129-1180  | 1        |
| GEAR,INPUT 2ND,20T (Ref # 13129B)   | 13129-1741  | 1        |
| GEAR,INPUT 3RD,22T (Ref # 13129C)   | 13129-1742  | 1        |
| GEAR,INPUT 4TH,22T (Ref # 13129D)   | 13129-1743  | 1        |
| GEAR,INPUT TOP,24T (Ref # 13129E)   | 13129-1744  | 1        |
| GEAR,OUTPUT 2ND,29T (Ref # 13129F)  | 13129-1746  | 1        |
| GEAR,OUTPUT 3RD,26T (Ref # 13129G)  | 13129-1747  | 1        |
| GEAR,OUTPUT 4TH,21T (Ref # 13129H)  | 13129-1748  | 1        |
| ENGINE SPROCKET 13T (Ref # 1314)    | 13144-055   | 1        |
| ENGINE SPROCKET,14T (Ref # 13144A)  | 13144-1006  | 1        |
| SPROCKET,ENGINE,15T (Ref # 13144B)  | 13144-1026  | 1        |
| NUT BEARING ADJUST (Ref # 92015)    | 42045-008   | 1        |
| WASHER-PLAIN 25MM (Ref # 92022)     | 92022-159   | 1        |
| WASHER,17.3X28X1.0 (Ref # 92022A)   | 92022-255   | 1        |
| WASHER-LOCK (Ref # 92022B)          | 92024-038   | 1        |
| WASHER,LOCK (Ref # 92022C)          | 92024-065   | 1        |
| COLLAR,25X32X10.5 (Ref # 92027)     | 92143-1370  | 1        |
| CIRCLIP (Ref # 92033)               | 92033-026   | 1        |
| CIRCLIP,18MM (Ref # 92033A)         | 92033-029   | 1        |
| CIRCLIP,16MM (Ref # 92033B)         | 92033-032   | 1        |
| BEARING-NEEDLE,KT2026 (Ref # 92046) | 92046-1170  | 1        |
| BEARING-NEEDLE (Ref # 92046A)       | 92046-1184  | 1        |
| "O" RING (Ref # 92055)              | 92055-035   | 1        |