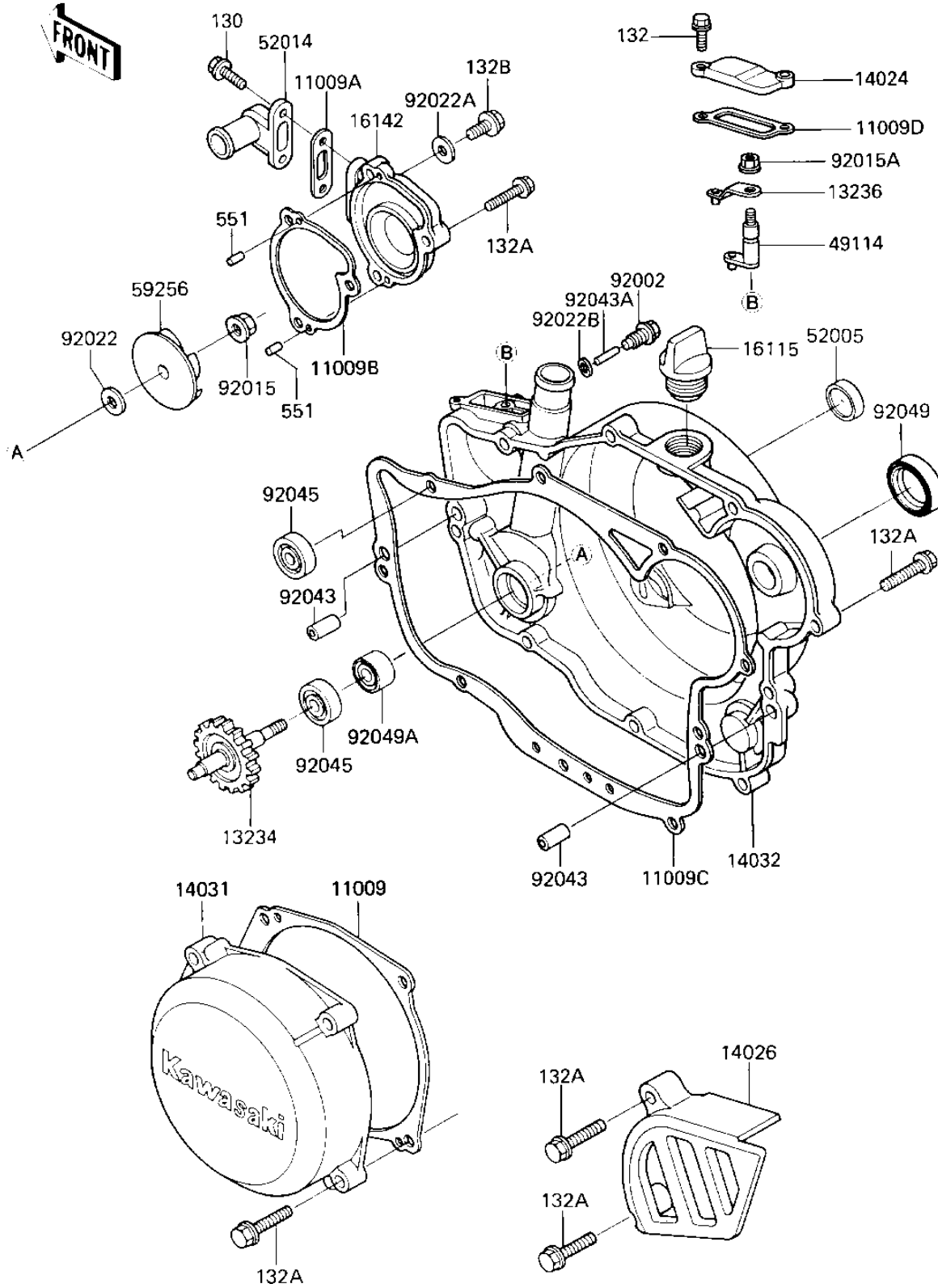


## 1986 KX™250 PARTS DIAGRAM

ENGINE COVERS/WATER PUMP

E143I-0182



## 1986 KX™250 PARTS LIST

### ENGINE COVERS/WATER PUMP

ITEM NAME	PART NUMBER	QUANTITY
GASKET,GENERATOR COV (Ref # 11009)	11009-1319	1
GASKET,ELBOW (Ref # 11009A)	11009-1952	1
GASKET,WATER PUMP CO (Ref # 11009B)	11009-1953	1
GASKET,CLUTCH COVER (Ref # 11009C)	11009-1548	1
GASKET,GOVERNOR (Ref # 11009D)	11009-1549	1
SHAFT-COMP,WATER PUM (Ref # 13234)	13234-1062	1
LEVER-COMP,GOVERNOR (Ref # 13236)	13236-1141	1
COVER,GOVERNOR (Ref # 14024)	14024-1139	1
COVER-CHAIN (Ref # 14026)	14026-1119	1
COVER-GENERATOR (Ref # 14031)	14031-1104	1
COVER-CLUTCH (Ref # 14032)	14032-1208	1
FILLER,OIL (Ref # 16115)	16115-018	1
COVER-PUMP (Ref # 16142)	16142-1067	1
SHAFT-GOVERNOR (Ref # 49114)	49114-1057	1
GAUGE,OIL LEVEL (Ref # 52005)	52005-1055	1
ELBOW (Ref # 52014)	52014-5001	1
IMPELLER,WATER PUMP (Ref # 59256)	59256-1002	1
BOLT (Ref # 92002)	92002-1357	1
NUT-6MM (Ref # 92015)	92015-1078	1
NUT,6MM (Ref # 92015A)	92015-1572	1
WASHER,6X14X2 (Ref # 92022)	92022-1393	1
WASHER,8.2X14X1 (Ref # 92022A)	92022-1488	1
WASHER,PLAIN (Ref # 92022B)	92022-304	1
PIN-DOWEL (Ref # 92043)	92042-007	1
PIN (Ref # 92043A)	92043-109	1
BEARING-BALL (Ref # 92045)	92045-1212	1
OIL SEAL,SB18307 (Ref # 92049)	92049-013	1
SEAL-OIL,MHSD8X18X10 (Ref # 92049A)	92049-1366	1
BOLT-FLANGED (Ref # 130)	130G0516	1

## 1986 KX™250 PARTS LIST

ENGINE COVERS/WATER PUMP

ITEM NAME	PART NUMBER	QUANTITY
BOLT-FLANGED-SMALL (Ref # 132)	132G0620	1
BOLT-FLANGED-SMALL (Ref # 132A)	132G0625	1
BOLT-FLANGED-SMALL (Ref # 132B)	132G0810	1
PIN,DOWEL,4X8 (Ref # 551)	551A0408	1