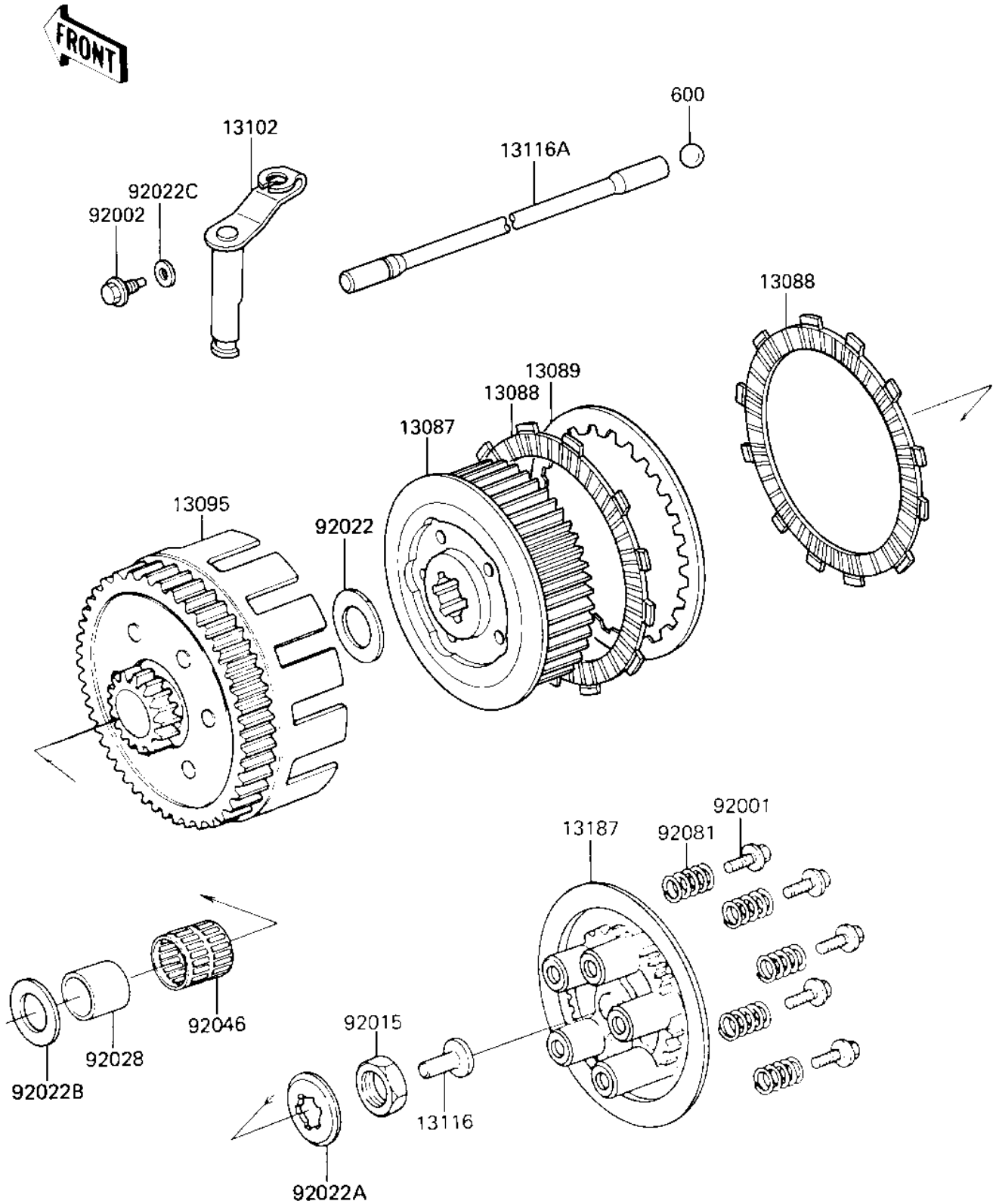


1986 KX™250 PARTS DIAGRAM

CLUTCH

E1350-0110



1986 KX™250 PARTS LIST

CLUTCH

ITEM NAME	PART NUMBER	QUANTITY
HUB-CLUTCH (Ref # 13087)	13087-1081	1
PLATE-FRICTION (Ref # 13088)	13088-1065	2
HOUSING-COMP-CLUTCH (Ref # 13095)	13095-1139	1
RELEASE-COMP-CLUTCH (Ref # 13102)	13102-1078	1
ROD-PUSH,CLUTCH (Ref # 13116)	13116-1010	1
ROD-PUSH (Ref # 13116A)	13116-1120	1
PLATE-CLUTCH OPERATI (Ref # 13187)	13187-1011	1
BOLT,CLUTCH SPR FITT (Ref # 92001)	92001-1066	1
BOLT (Ref # 92002)	92002-1357	1
NUT 20MM (Ref # 92015)	92016-028	1
WASHER,20.5X46X2.6 (Ref # 92022)	92022-1646	1
WASHER (Ref # 92022A)	92022-1648	1
WASHER-CLUTCH THRUST (Ref # 92022B)	92022-168	1
WASHER,PLAIN (Ref # 92022C)	92022-304	1
BUSHING,CLUTCH (Ref # 92028)	92028-1076	1
BEARING-NEEDLE,WR25/ (Ref # 92046)	92046-1049	1
SPRING,CLUTCH (Ref # 92081)	92081-139	1
BALL STEEL 3/8' (Ref # 600)	600A1200	1