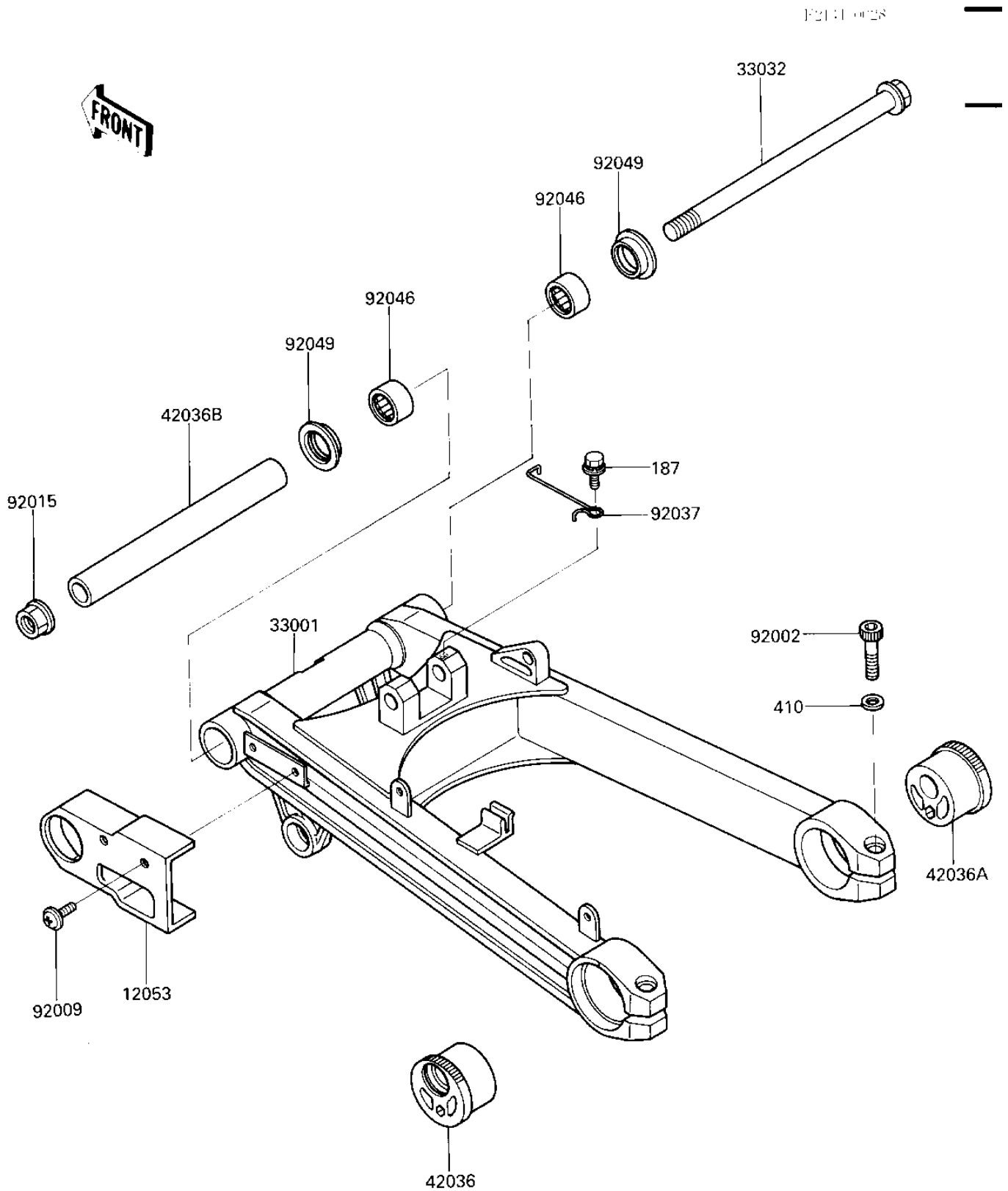


1986 NINJA® 1000R PARTS DIAGRAM

SWING ARM



1986 NINJA® 1000R PARTS LIST

SWING ARM

| ITEM NAME | PART NUMBER | QUANTITY |
|-------------------------------------|---------------|----------|
| GUIDE-CHAIN (Ref # 12053) | 12053-1186 | 1 |
| ARM-COMP-SWING,SILVER (Ref # 33001) | 33001-1240-X3 | 1 |
| SHAFT-SWING ARM (Ref # 33032) | 33032-1115 | 1 |
| SLEEVE,REAR AXLE,LH (Ref # 42036) | 42036-1153 | 1 |
| SLEEVE,REAR AXLE,RH (Ref # 42036A) | 42036-1154 | 1 |
| SLEEVE,16.1X25X254 (Ref # 42036B) | 42036-1155 | 1 |
| BOLT (Ref # 92002) | 92002-1452 | 1 |
| SCREW,6X10 (Ref # 92009) | 92009-1286 | 1 |
| NUT,16M/M (Ref # 92015) | 92015-1041 | 1 |
| CLAMP (Ref # 92037) | 92037-1565 | 1 |
| BEARING-NEEDLE (Ref # 92046) | 92046-1035 | 1 |
| SEAL-OIL (Ref # 92049) | 92049-1166 | 1 |
| BOLT-UPSET-WSP (Ref # 187) | 187D0610 | 1 |
| W-PLAIN-S (Ref # 410) | 410E1000 | 1 |