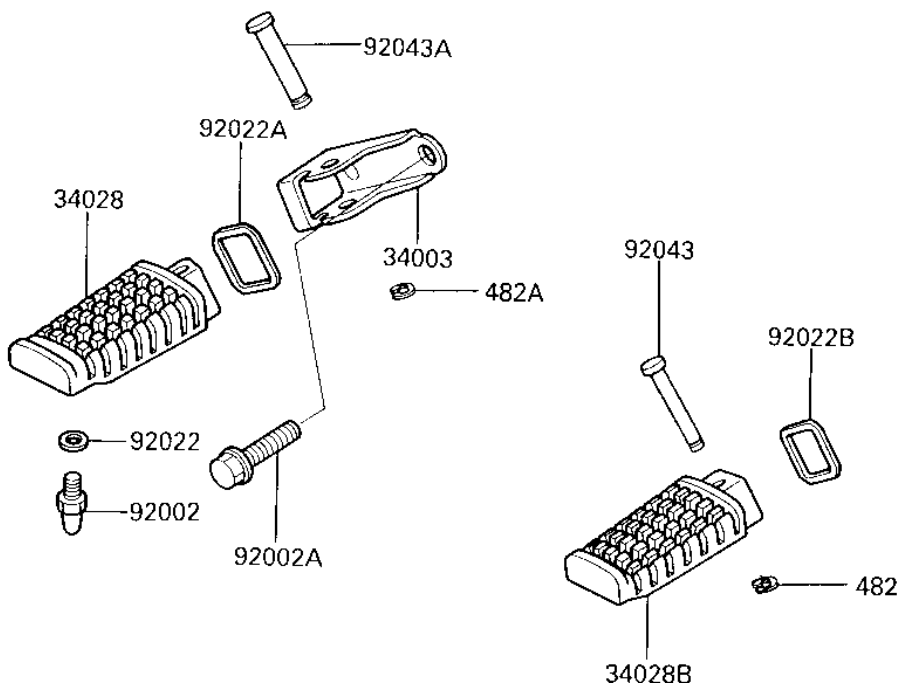
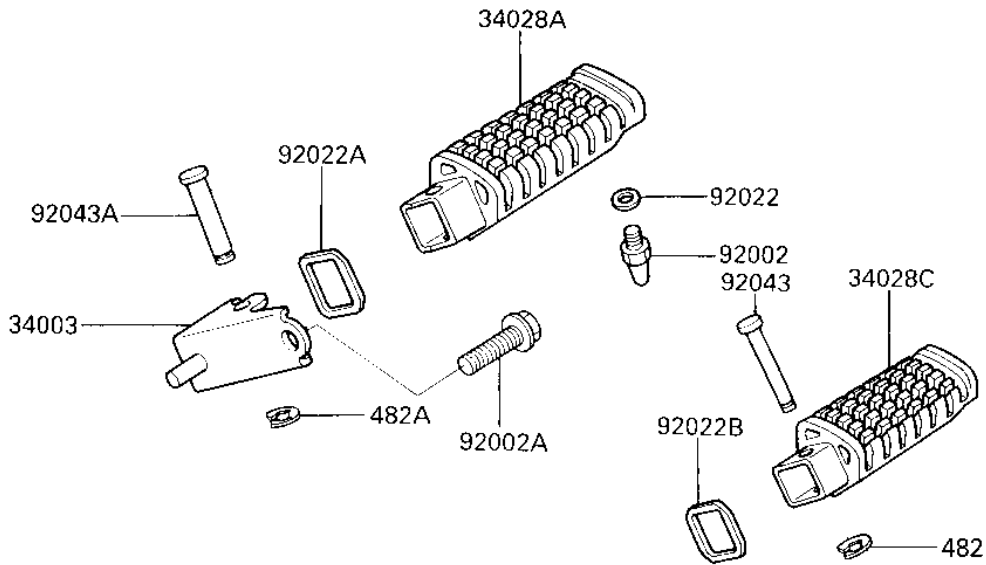


## 1986 NINJA® 250R PARTS DIAGRAM

FOOTRESTS

F2160-0148



## 1986 NINJA® 250R PARTS LIST

### FOOTRESTS

ITEM NAME	PART NUMBER	QUANTITY
HOLDER-STEP,FR (Ref # 34003)	34003-1256	1
STEP,FR,LH (Ref # 34028)	34028-1193	1
STEP,FR,RH (Ref # 34028A)	34028-1194	1
STEP,RR,LH (Ref # 34028B)	34028-1195	1
STEP,RR,RH (Ref # 34028C)	34028-1196	1
BOLT,BANK SENSOR (Ref # 92002)	92002-1742	1
BOLT (Ref # 92002A)	92002-1807	1
WASHER,6.5X11.5X2 (Ref # 92022)	92022-1506	1
WASHER,STEP FITTING (Ref # 92022A)	92022-1796	1
WASHER,STEP FITTING (Ref # 92022B)	92022-1797	1
PIN (Ref # 92043)	92043-1328	1
PIN (Ref # 92043A)	92043-1339	1
CIRCLIP-TYPE-E,5MM (Ref # 482)	482L5000	1
CIRCLIP-TYPE-E (Ref # 482)	482L7000	1