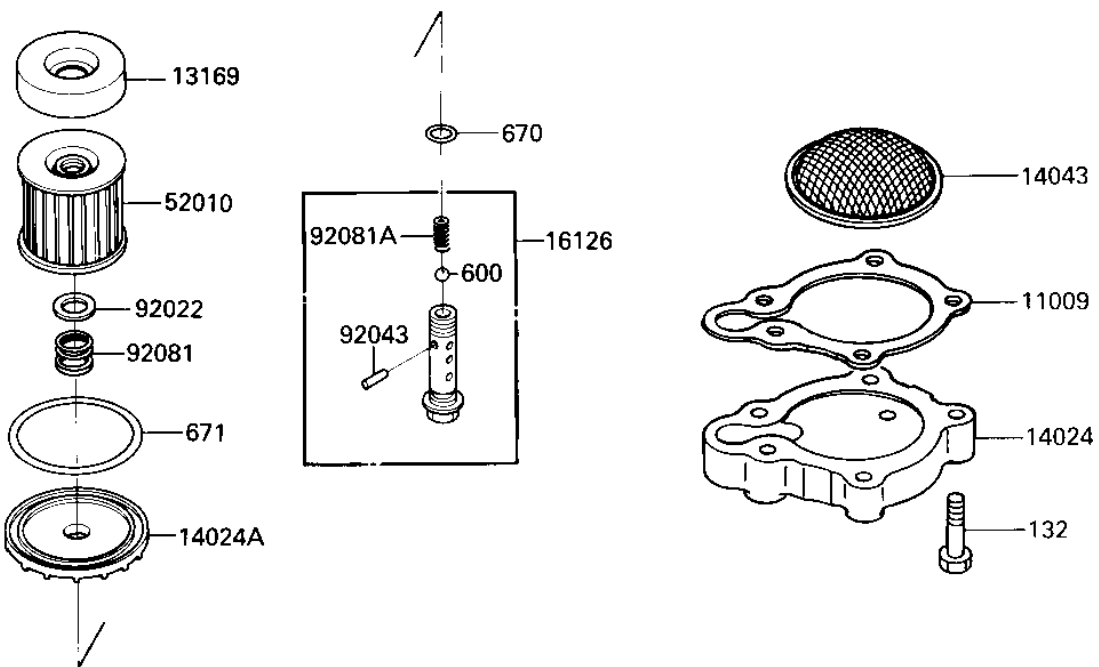
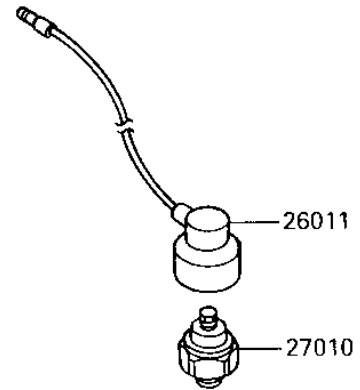
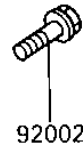
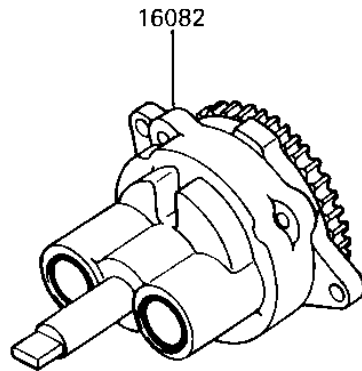
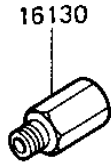


1986 NINJA® 250R PARTS DIAGRAM

OIL PUMP/OIL FILTER

E1710-0077



1986 NINJA® 250R PARTS LIST

OIL PUMP/OIL FILTER

ITEM NAME	PART NUMBER	QUANTITY
GASKET,OIL FILTER COV (Ref # 11009)	11009-1874	1
PLATE,OIL FILTER (Ref # 13169)	13169-1313	1
COVER,OIL FILTER (Ref # 14024)	14024-1298	1
COVER,OIL FILTER,F.BL (Ref # 14024A)	14025-1422	1
STRAINER,OIL (Ref # 14043)	16111-003	1
PUMP-ASSY-OIL (Ref # 16082)	16082-1078	1
VALVE,OIL FILTER (Ref # 16126)	16126-1108	1
RELEAF VALVE ASSY (Ref # 16130)	16130-1001	1
WIRE-LEAD (Ref # 26011)	26011-1371	1
SWITCH,OIL PRESSURE (Ref # 27010)	27010-1155	1
FILTER,OIL (Ref # 52010)	16099-003	1
BOLT,SOCKET,6X25 (Ref # 92002)	92002-1696	1
WASHER,20.5X30X1.0 (Ref # 92022)	92022-1012	1
SPRING PIN (Ref # 92043)	92043-111	1
SPRING,OIL FILTER (Ref # 92081)	92081-1018	1
SPRING (Ref # 92081A)	92081-109	1
BOLT-FLANGED-SMALL (Ref # 132)	132J0630	1
BALL STEEL 3/8" (Ref # 600)	600A1200	1
"O" RING,16MM (Ref # 670)	670B2016	1
"O" RING,90MM (Ref # 671)	671B2590	1