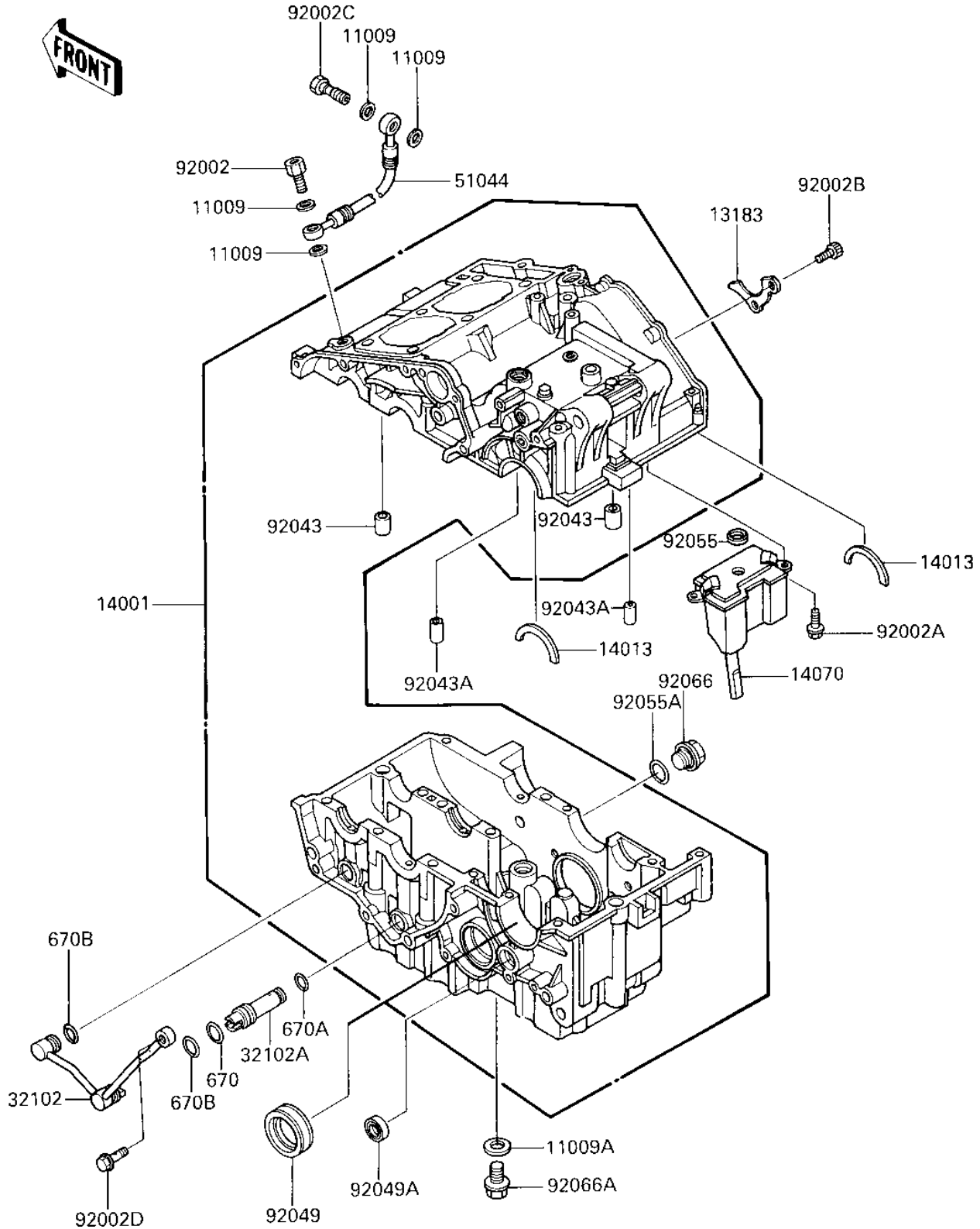


1986 NINJA® 250R PARTS DIAGRAM

CRANKCASE

E1411-0150



1986 NINJA® 250R PARTS LIST

CRANKCASE

ITEM NAME	PART NUMBER	QUANTITY
GASKET,10X14.5X1.5 (Ref # 11009)	11009-1105	1
GASKET,DRIN PLUG (Ref # 11009A)	92065-097	1
PLATE (Ref # 13183)	13169-1659	1
SET-CRANKCASE (Ref # 14001)	14001-5216	1
RING BEARING SETTING (Ref # 14013)	14013-004	1
BODY-BREATHER (Ref # 14070)	14070-1065	1
PIPE (Ref # 32102)	32102-1017	1
PIPE (Ref # 32102A)	32102-1018	1
TUBE-ASSY (Ref # 51044)	51044-1074	1
BOLT,OIL SWITCH (Ref # 92002)	92002-1427	1
BOLT,6X10 (Ref # 92002A)	92002-1449	1
BOLT,6X12 (Ref # 92002B)	92002-1592	1
BOLT (Ref # 92002C)	92002-1593	1
BOLT,BANJO,8X20 (Ref # 92002D)	92002-1705	1
PIN,DOWEL,9.2X12X14 (Ref # 92043)	92043-1265	1
PIN,3.5X6X16 (Ref # 92043A)	92043-1309	1
OIL SEAL SC325210 (Ref # 92049)	92050-024	1
OIL SEAL,TB13225.5 (Ref # 92049A)	92051-005	1
O RING,0.D=18MM (Ref # 92055)	92055-048	1
RING-O (Ref # 92055A)	92055-1146	1
PLUG,MAIN GALLERY,18X (Ref # 92066)	92066-1096	1
PLUG,OIL DRAIN,12X15 (Ref # 92066A)	92066-1174	1
O RING (Ref # 670)	670D1509	1
O RING (Ref # 670A)	670D2010	1
O RING (Ref # 670B)	670D2012	1