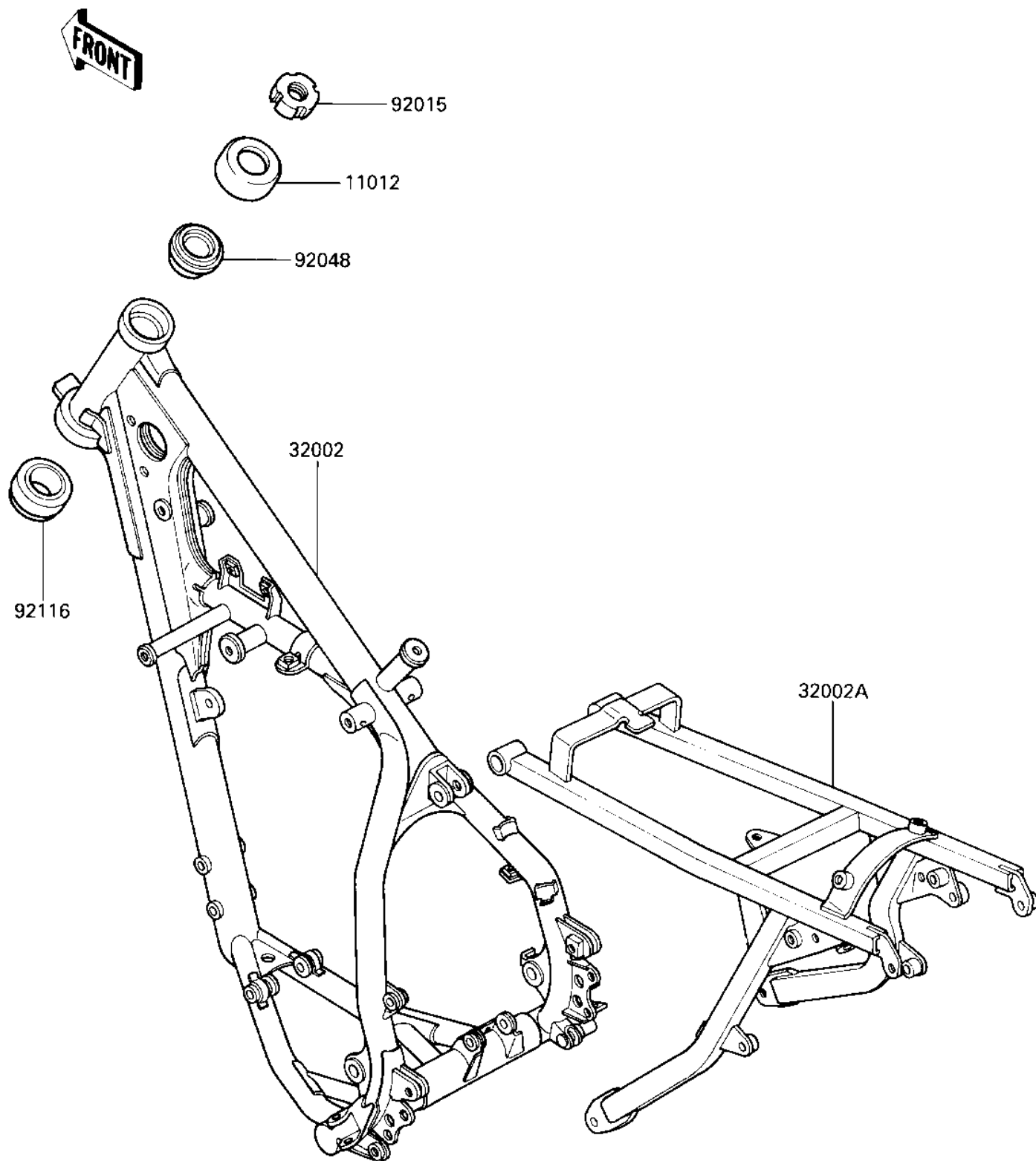


## 1986 KX™125 PARTS DIAGRAM

FRAME

F2120-0282



## 1986 KX™125 PARTS LIST

### FRAME

ITEM NAME	PART NUMBER	QUANTITY
CAP,STEERING STEM (Ref # 11012)	46098-015	1
FRAME-COMP,FR (Ref # 32002)	32002-1846	1
FRAME-COMP,RR (Ref # 32002A)	32002-1847	1
NUT,25MM,T=12 (Ref # 92015)	92015-1467	1
BEARING,STEERING STE (Ref # 92048)	92047-017	1
BEARING,ROLLER,32006 (Ref # 92116)	92116-1008	1