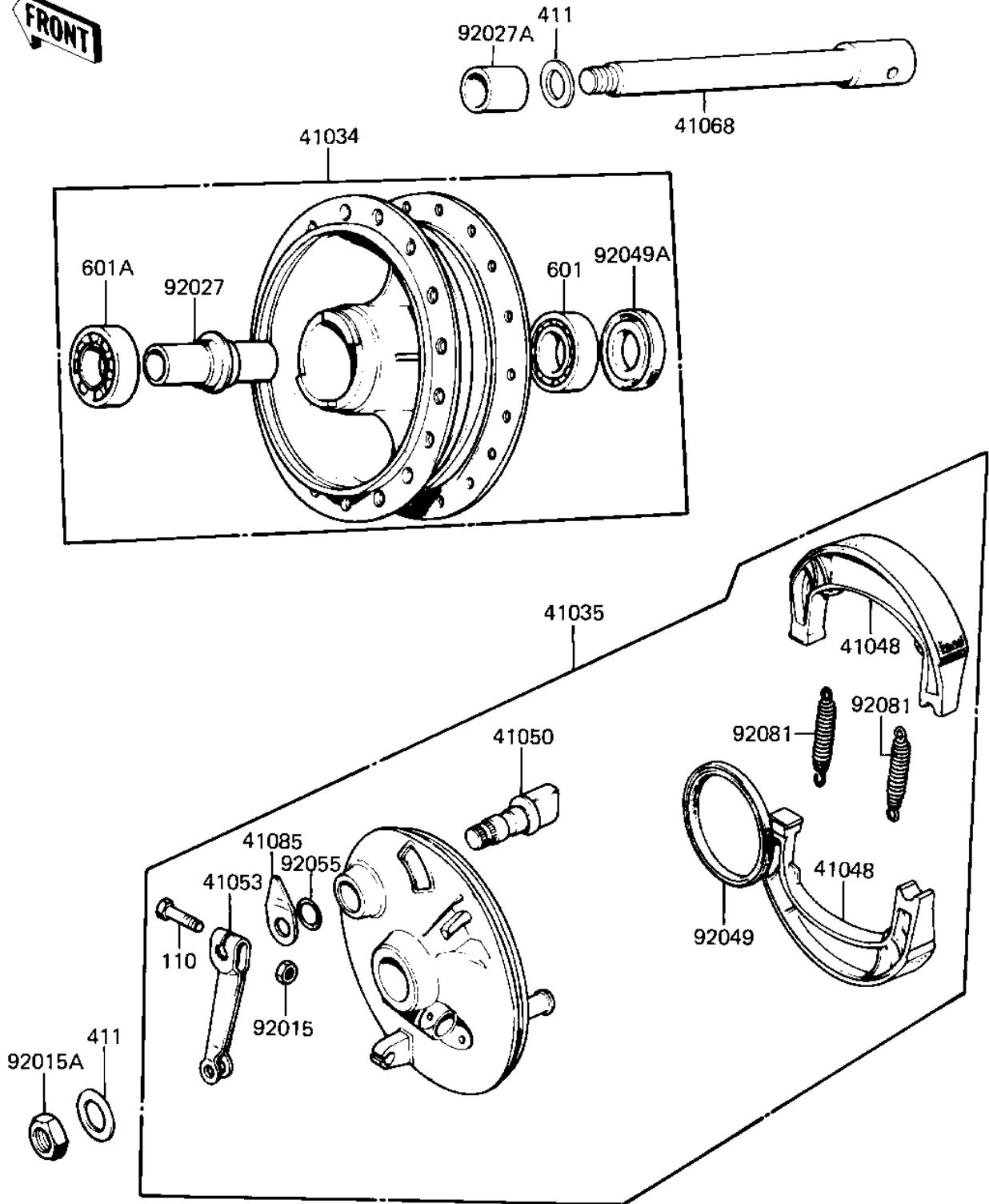


1982 KD80 PARTS DIAGRAM

FRONT HUB/BRAKE

F2230-0039



1982 KD80 PARTS LIST

FRONT HUB/BRAKE

| ITEM NAME | PART NUMBER | QUANTITY |
|-------------------------------------|--------------|----------|
| DRUM-ASSY,FR BRK (Ref # 41034) | 41034-1040 | 1 |
| PANEL-ASY,FR BRK BUFF (Ref # 41035) | 41035-069-80 | 1 |
| SHOE-BRAKE (Ref # 41048) | 41048-1085 | 1 |
| CAM SHAFT-FRONT BRAKE (Ref # 41050) | 41050-018 | 1 |
| LEVER FRONT BRAKE CAM (Ref # 41053) | 41053-005 | 1 |
| AXLE-FRONT (Ref # 41068) | 41068-039 | 1 |
| INDICATOR,FR BK SHOE (Ref # 41085) | 41085-013 | 1 |
| NUT,6MM (Ref # 92015) | 41072-007 | 1 |
| NUT 10MM (Ref # 92015A) | 42045-005 | 1 |
| SPACER FRONT HUB (Ref # 92027) | 41039-002 | 1 |
| COLLAR,FRONT AXLE (Ref # 92027A) | 41069-026 | 1 |
| OIL SEAL BRAKE PANEL (Ref # 92049) | 92050-002 | 1 |
| OIL SEAL,TC17317 (Ref # 92049A) | 92050-063 | 1 |
| "O" RING,11MM (Ref # 92055) | 92055-004 | 1 |
| SPRING,BRAKE SHOE (Ref # 92081) | 92081-1766 | 1 |
| BOLT-UPSET (Ref # 110) | 112G0630 | 1 |
| WASHER PLAIN 10MM (Ref # 411) | 411B1000 | 1 |
| BEARING BALL #6200 (Ref # 601) | 601B6200 | 1 |
| BEARING BALL #6300 (Ref # 601A) | 601B6300Z | 1 |