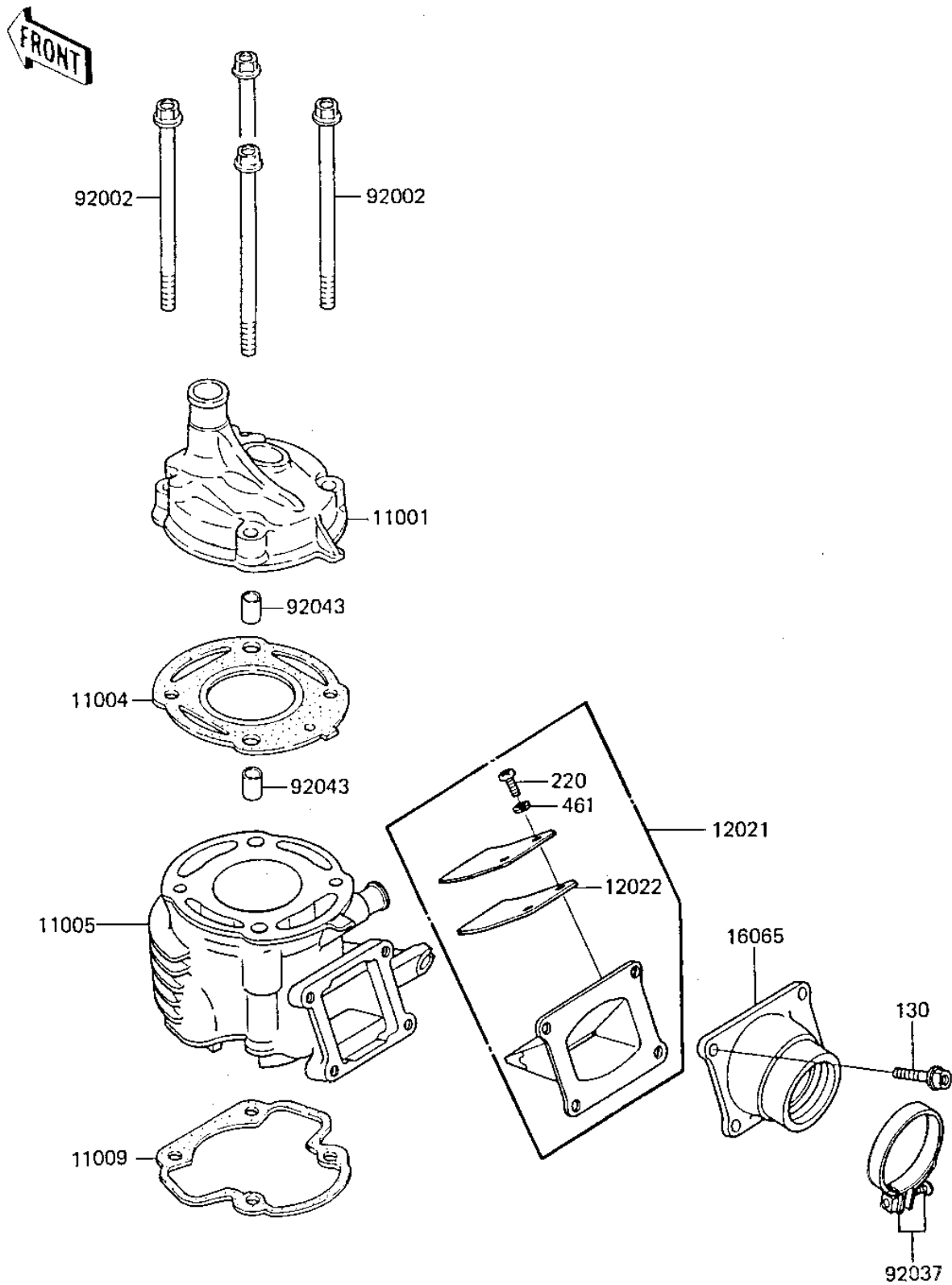


## 1984 KX™80 PARTS DIAGRAM

CYLINDER HEAD/CYLINDER/REED VALVE ('85 K)

E1111-0615



## 1984 KX™80 PARTS LIST

CYLINDER HEAD/CYLINDER/REED VALVE ('85 K)

ITEM NAME	PART NUMBER	QUANTITY
HEAD CYLINDER (Ref # 11001)	11001-1144	1
GASKET-HEAD,CYLINDER (Ref # 11004)	11004-1058	1
CYLINDER-ENGINE (Ref # 11005)	11005-1394	1
GASKET,CYLINDER BASE (Ref # 11009)	11009-1482	1
VALVE-ASSY-REED (Ref # 12021)	12021-1055	1
VALVE-REED (Ref # 12022)	12022-1054	1
HOLDER-CARBURETOR (Ref # 16065)	16065-1102	1
BOLT,8X120 (Ref # 92002)	92002-1332	1
CLAMP (Ref # 92037)	92037-1172	1
PIN,DOWEL,10X8.2X14 (Ref # 92043)	92043-1037	1
BOLT,FLANGED,6X20 (Ref # 130)	130G0620	1
SCREW PAN HEAD 3X8 (Ref # 220)	220B0308	1
WASHER SPRING 3MM (Ref # 461)	461F0300	1